

IF IT IS FOUND DESIRABLE TO CHANGE ANY TOLERANCE OR OTHER DETAIL SPECIFIED ON THIS DRAWING NOTIFY THE PURCHASER PROMPTLY.

MAXIMUM ALLOWABLE TOLERANCES HAVE BEEN DETERMINED AND DEVIATIONS WILL BE CAUSE FOR REJECTION. REMOVE ALL BURRS AND SHARP EDGES

COMBINATION "D"

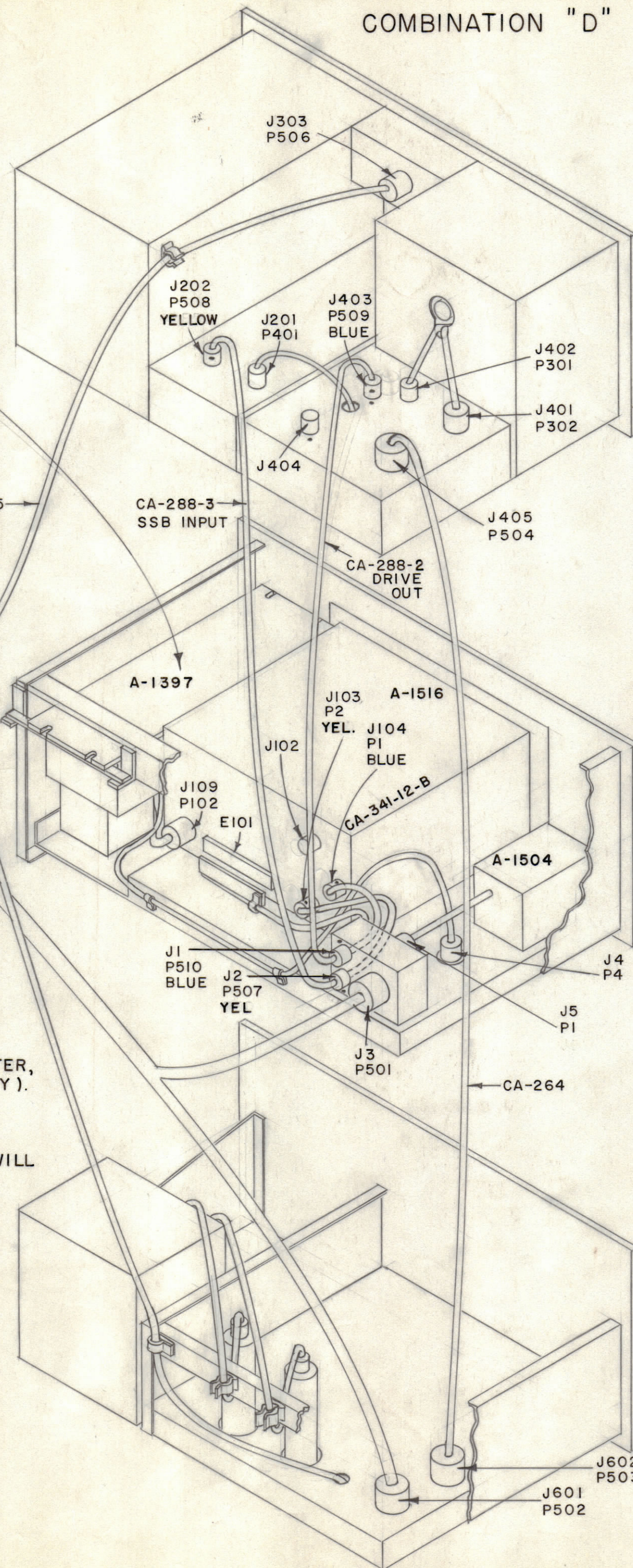
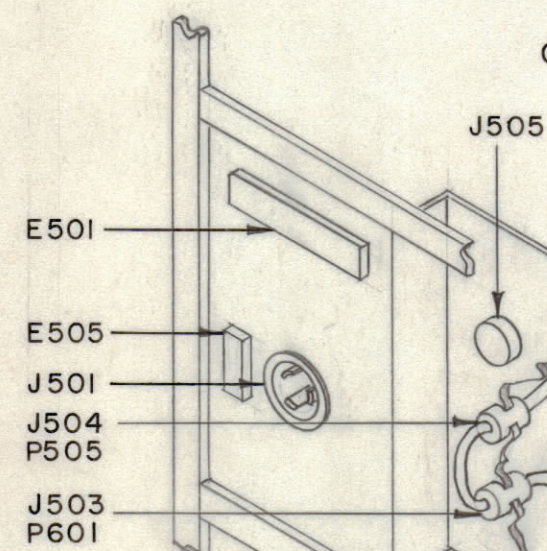
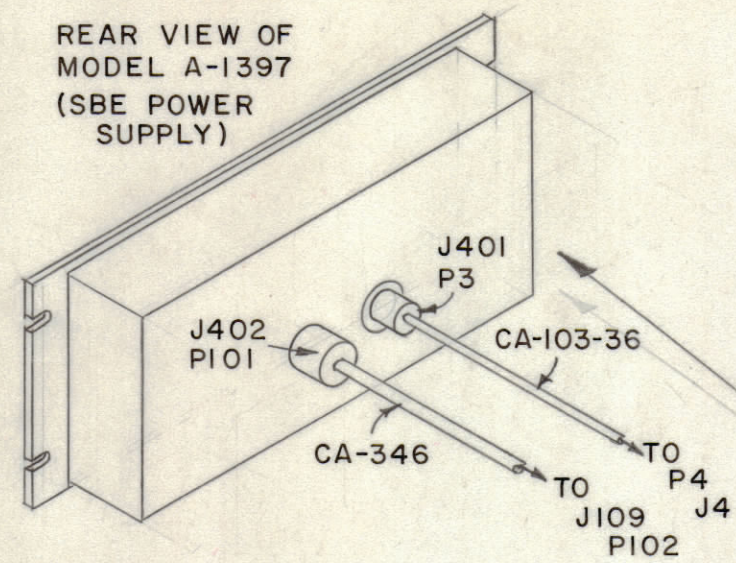
NOTICE TO PERSONS RECEIVING THIS DRAWING

THE TECHNICAL MATERIEL CORPORATION claims proprietary right in the material disclosed hereon. This drawing is issued in confidence for engineering information only and may not be reproduced or used to manufacture anything shown hereon without permission from THE TECHNICAL MATERIEL CORPORATION to the user. This drawing is loaned for mutual assistance and is subject to recall at any time.

Property of:

THE TECHNICAL MATERIEL CORPORATION
MAMARONECK, NEW YORK

REAR VIEW OF MODEL A-1397 (SBE POWER SUPPLY)



RTF

A-1279,
SBE-2
&
A-1504
(OPTIONAL)

RTP

LEGEND - COMBINATION "D" GPT-750

- ONE RTF
- ONE A-1279 (DRAWER)
- ONE SBE-2 (CONSISTS OF ONE A-1516, EXCITER, AND ONE A-1397, POWER SUPPLY).
- ONE RTP
- ONE A-958 (CABINET).

NOTE: ONE MODEL A-1504 (12 VDC SUPPLY) WILL BE SUPPLIED ONLY ON CUSTOMERS REQUEST.

ID-176 B

B	1	J103 WAS RED, J2 WAS RED, J202 WAS RED, CA-288-3 WAS -1	8/29/58	438	HA		
A	1	REDRAWN & REVISED	9/5/58	1	KG		
ISSUE	ITEM	CHANGED FROM	DATE	CN. NO.	DRAFTS	CHECKER	ENG. APP.
TOLERANCES			SCALE:				
ALL OTHERS	DEC. DIM. ±	FRAC. DIM. ±	ANGULAR DIM. ±	DRILL, PUNCH, COMMERCIAL STOCK SIZES AND MANUFACTURERS TOLERANCES ARE NOT INCLUDED.			

REQ PER UNIT	MODEL	PROJECT NO.	ASS'Y. NO.	DATE

REQ. ITEM	PART NO.	DESCRIPTION	SYMBOL
THE TECHNICAL MATERIEL CORP. MAMARONECK, NEW YORK			
STOCK SIZE			
CABLING DIAGRAM, MODEL GPT-750			
MATERIAL WEIGHT PER PC. COMBINATION "D"			
TYPE & TEMPER		LG 4-15-58	
HEAT TREAT. SPEC.		CHECKED	FINAL APPROVAL
FINISH & SPEC. NO.			

ID-176 B