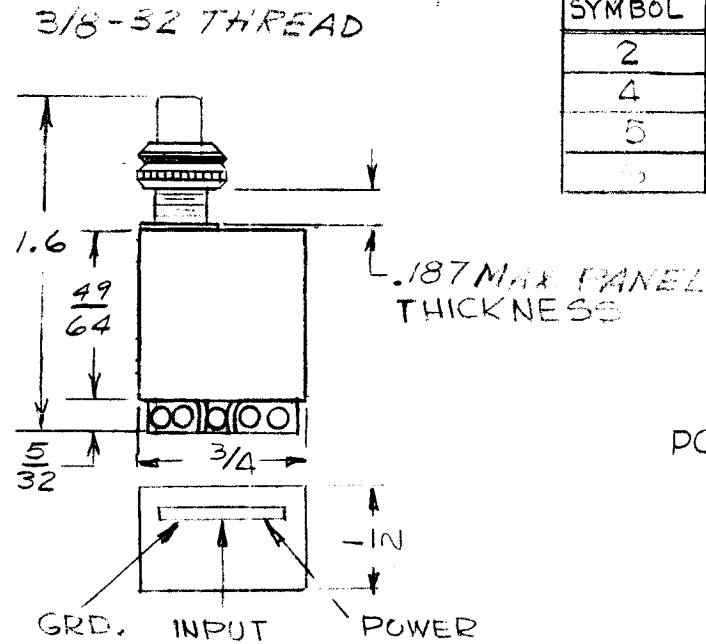


# STANDARD DRAWING

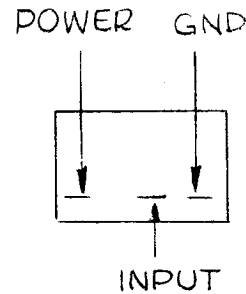
TMC PART NO.	MFG PART NO.	NOMINAL INPUT LEVELS		INPUT IMPED.	POWER REQ.	REQ. PER UNIT	USED ON		IC 102	E
		LAMP ON	LAMP OFF				ASSY. NO.	DATE		
IC 102-1	R-481	-5V TO -12VDC	0V TO -0.5VDC	4.7K	45ma@ -12Vdc		RTIA-		9-21-64	

MECHANICAL SPECS:  
 TEMP. RANGE : -20 TO +40°C  
 CASE : MOLDED EPOXY  
 WEIGHT : 1/4 OUNCE  
 MOUNTING HOLE 13/32 DIA.  
 LENS : TRANSPARENT

COLOR CODE	
SYMBOL	COLOR
2	RED
4	YEL. (AMBER)
5	GREEN
6	BLUE



**NOTE**  
 TERMINAL IDENTIFICATION TO BE MARKED ON UNIT. (SIDE OR BOTTOM) (OPTIONAL)



TMC PART NO. SHALL BE IN THE FOLLOWING FORM.

IC102-1-2

BASIC TMC PART NO
ELECT CHART
LENS COLOR

REQ.	ITEM	PART NO.	F. EATON	DESCRIPTION	SYMBOL							
		STOCK SIZE		<b>THE TECHNICAL MATERIEL CORP.</b> MAMARONECK. NEW YORK								
E		ADD TERMINAL NOTE	11-29-66	17336 RME	QCBS JC							
SYM		DESCRIPTION	DATE	CH. NO.	DRAFTS	CHECKER	ENG. APP.	MATERIAL				
UNLESS OTHERWISE SPECIFIED DIMENSIONS ARE IN INCHES AND INCLUDE CHEMICALLY APPLIED OR PLATED FINISHES			SCALE					TYPE & TEMPER	HEAT TREAT. SPEC.	DRAWN	CHECKED	FINAL APPROVAL
DECIMALS		TOLERANCES	FRACTIONS	CODE						ELEC. DES. APP.	MECH. DES. APP.	
.X ± .05			± 1/64	C		S4.01-319				JEC 9/23/64	JC 9/23/64	IC 102
.XX ± .01			ANGLES, ± 0° 30'									E
.XXX ± .005												