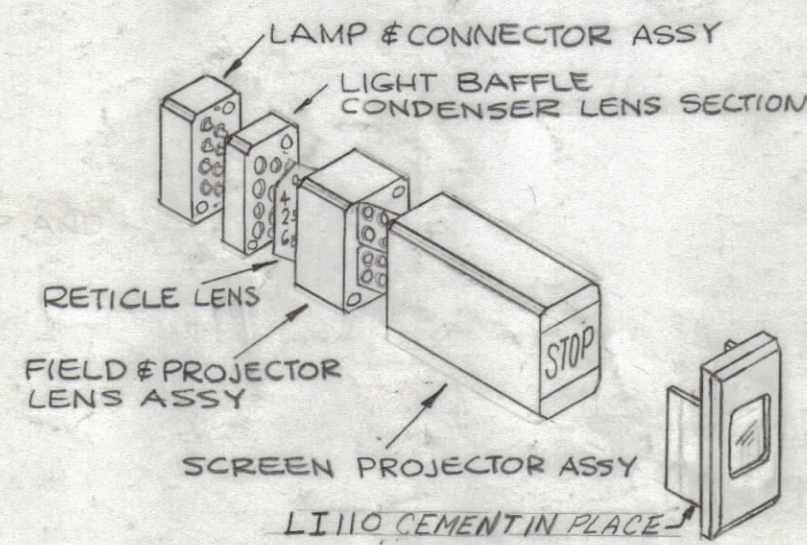
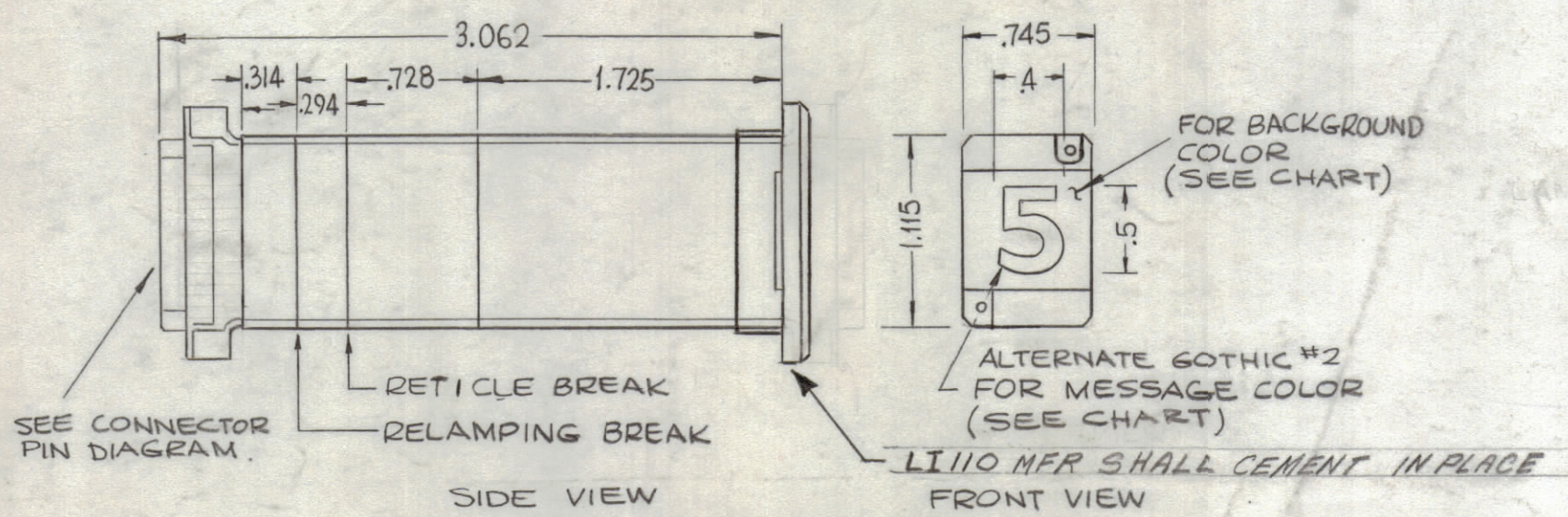
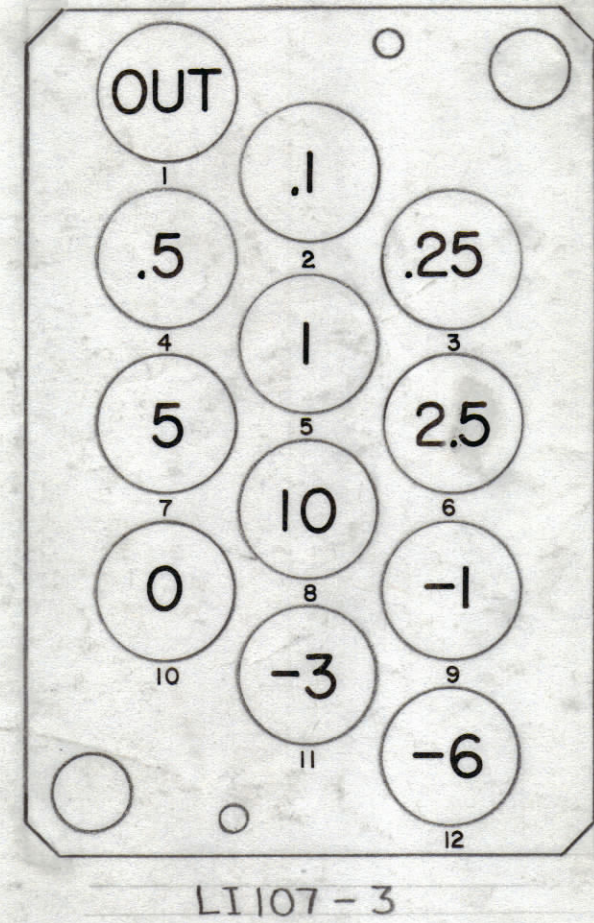


TMC PART NO.	MFG PART NO.	RETICLE LENS	LAMP	BACKGROUND COLOR	MESSAGE	
		TMC PART NO.	TMC PART NO.		COLOR	HEIGHT
IC100-1	SRO102S	LI107-1	BI114-1	BLACK	RED	36 POINT
IC100-2	SRO102S	LI107-2	BI114-1	BLACK	RED	36 POINT
IC100-3	SRO102S	LI107-3	BI114-1	BLACK	RED	36 POINT

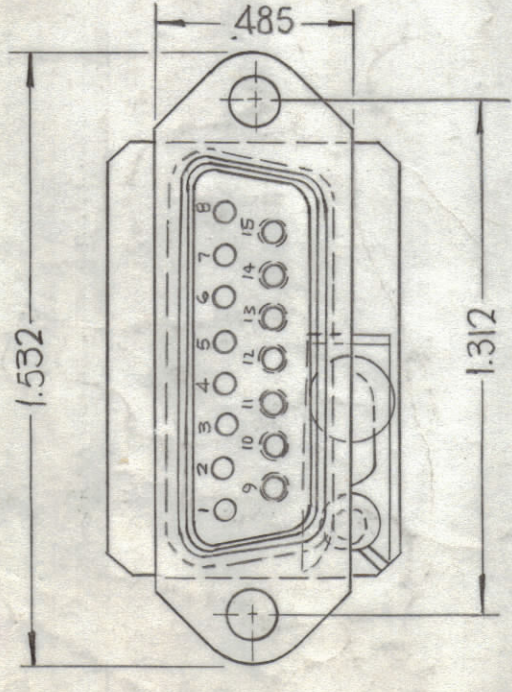
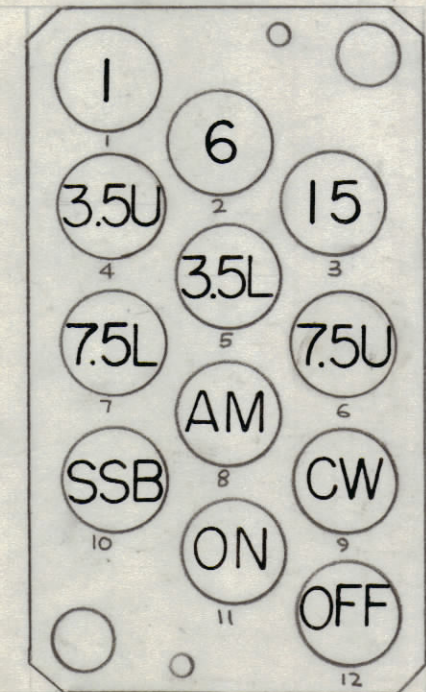
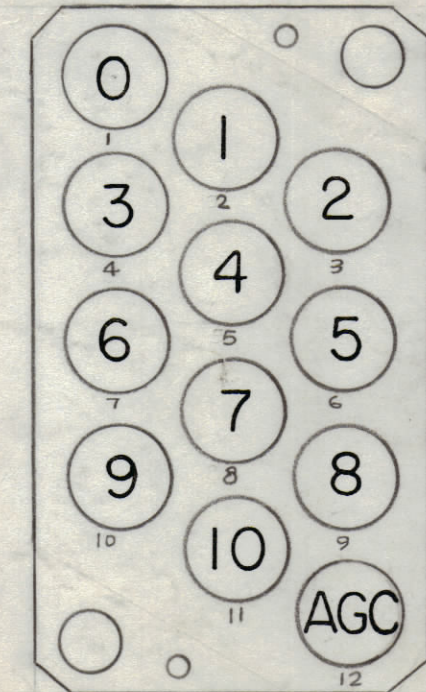
REVISIONS						
ZONE	SYM	DESCRIPTION	DATE	E.M.N. NO.	DRAFT	CHKD APPD
X		EXPERIMENTAL RELEASE	10-21-64	x	SRG	
		ORIGINAL RELEASE FOR PRODUCTION	10-29-64		J.F.	
A		DN TMC P/H CHART IC100-3 ADD; DN PICT: LI107-3 ADD.	2-2-65	13304	J.F.	
B		LI110 F CEMENTING INSTR. ADDED.	11/8/65	15097	J.F.	



SPECIFICATIONS
 LAMP VOLTAGE = 6-8 VOLTS
 MATERIAL - BLACK FIBERITE
 MFG PART NO. FOR MAT'L - FM-4005-8367, MIL-M-14F
 ADAPTER BLOCK - PAPER BASE
 PHENOLIC-EPOXY CONTACT,
 CONNECTOR: AMPHENOL 17-20150. MATES WITH TMC JJ310-1

SEE ALSO IC103 FOR HOLDER ASSY MTG. TYPE.

PLUG PIN NO.	LENS & LAMP POSITION NO
1	1
2	4
3	5
4	7
5	GND
6	10
7	11
8	GND
9	GND
10	2
11	3
12	6
13	8
14	9
15	12



STANDARD DRAWING

RTIA-1	
QTY./UNIT	MODEL USED ON
SCALE	ASSY. NO.
#	C 5401-326
THE CONTENTS OF THIS DRAWING ARE THE EXCLUSIVE PROPERTY OF THE TECHNICAL MATERIEL CORP. ITS UNAUTHORIZED USE OR REPRODUCTION IN WHOLE OR IN PART IS STRICTLY FORBIDDEN.	

REQ'D.	ITEM	PART NUMBER	DESCRIPTION	SYMBOL
EATON LIST OF MATERIAL				
MATERIAL		SEE SPECS		
FINISH		SEE SPECS		
UNLESS OTHERWISE SPECIFIED DIMENSIONS ARE IN INCHES AND INCLUDE CHEMICALLY APPLIED OR PLATED FINISHES		THE TECHNICAL MATERIEL CORP. MAMARONECK, NEW YORK		
DRAWN		SRG		
CHECKED		@		
ELECT. DES.		DATE 10-29-64		
MECH. DES.		DATE 10-29-64		
DECIMALS		FRACTIONS		
X ± .05		± 1/64		
.XX ± .01		ANGLES ± 0° 30'		
.XXX ± .005		TOLERANCES		
DATE		SHEET		
DATE		REV. LTR.		

NOTES

IC100
B