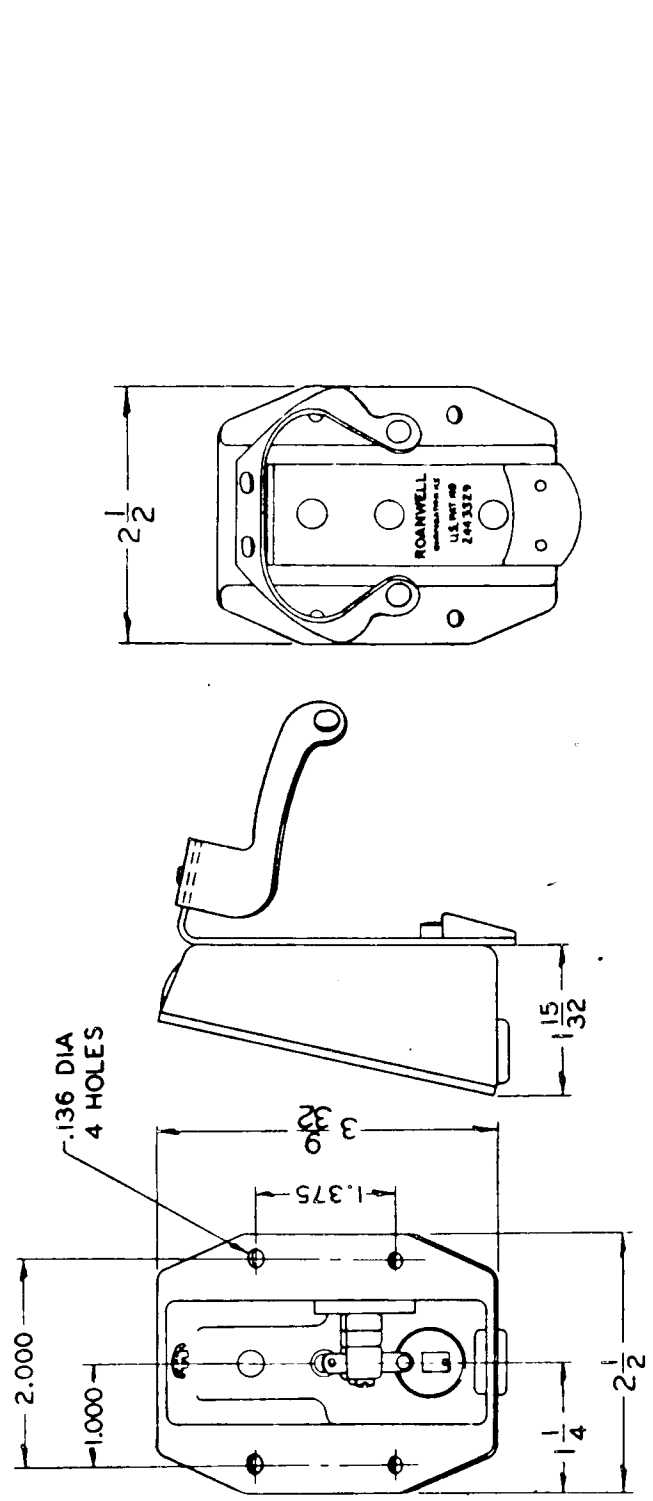


TITLE: TYPE OF SUBSTITUTION  
 REF. PART NO. 78103  
 DATE 6-20-65  
 MODEL TTB-10  
 ASSY. NO.  
 USED ON  
 REQ. PER UNIT  
 UNIT



REQ. ITEM	PART NO.	DESCRIPTION	SYMBOL
		STOCK SIZE	
		MATERIAL	
		TYPE & TEMPER	
		HEAT TREAT. SPEC.	
		FINISH & SPEC. NO.	
		DRAWN	
		CHECKED	
		ELEC. DES. APP.	
		MECH. DES. APP.	
		FINAL APPROVAL	

THE TECHNICAL MATERIEL CORP.  
 MAMARONECK, NEW YORK

DRAWN BY: [Signature]  
 CHECKED BY: [Signature]

78103  
 78103