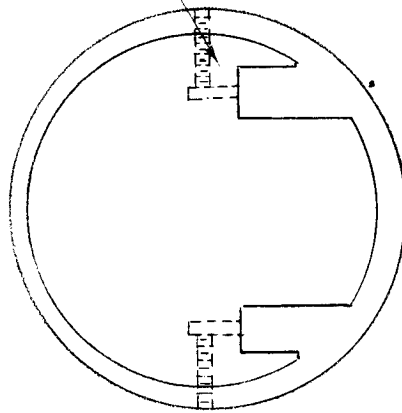
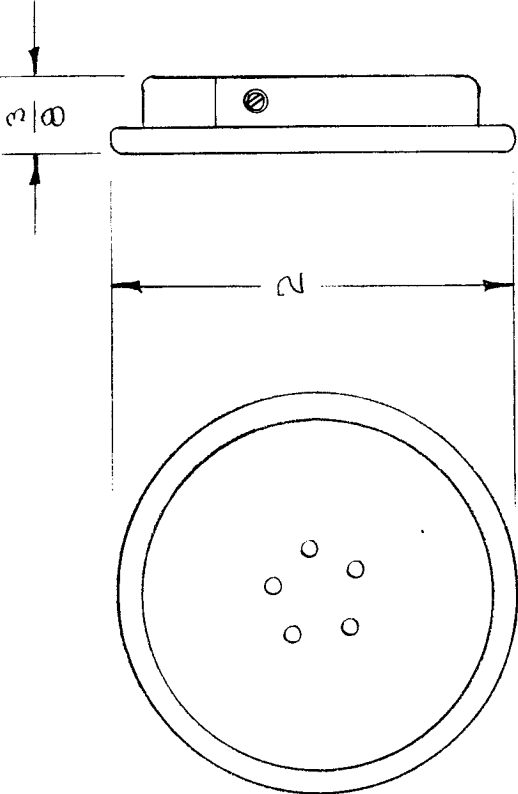




IF IT IS FOUND DESIRABLE TO CHANGE ANY TOLERANCE OR OTHER DETAIL SPECIFIED ON THIS DRAWING NOTIFY THE PURCHASER PROMPTLY.

MAXIMUM ALLOWABLE TOLERANCES HAVE BEEN DETERMINED AND DEVIATIONS WILL BE CAUSE FOR REJECTION. REMOVE ALL BURRS AND SHARP EDGES



TO FIT TE-133

ELECTRICAL SPECIFICATIONS -  
 IMPEDANCE - 300 OHMS  
 FREQUENCY - 200 - 4000 C.P.S.

HP-101

USED ON

DATE

ASSY. NO.

PROJECT NO.

MODEL

REQ. ITEM	PART NO.	DESCRIPTION	SYMBOL
	#	THE TECHNICAL MATERIEL CORP.	
		MAMARONECK. NEW YORK	
		EARPHONE, WAFER	
STOCK SIZE	#		
MATERIAL	#		
WEIGHT PER PC.	#		
TYPE & TEMPER	#		
HEAT TREAT. SPEC.	#		
FINISH & SPEC. NO.	#		

C.D.D. 5-11-53

DRAWN

ELEC. DES. APP.

MECH. DES. APP.

5-11-53

CHECKED

FINAL APPROVAL

HP-101

ISSUE ITEM	CHANGED FROM	DATE	CN. NO.	DRAFTS	CHECKER	ENG. APP.
TOLERANCES						
ALL	DEC. DIM. ±					
OTHERS	FRAC. DIM. ±					
	ANGULAR DIM. ±					

DRILL, PUNCH, COMMERCIAL STOCK SIZES AND MANUFACTURERS TOLERANCES ARE NOT INCLUDED.















