

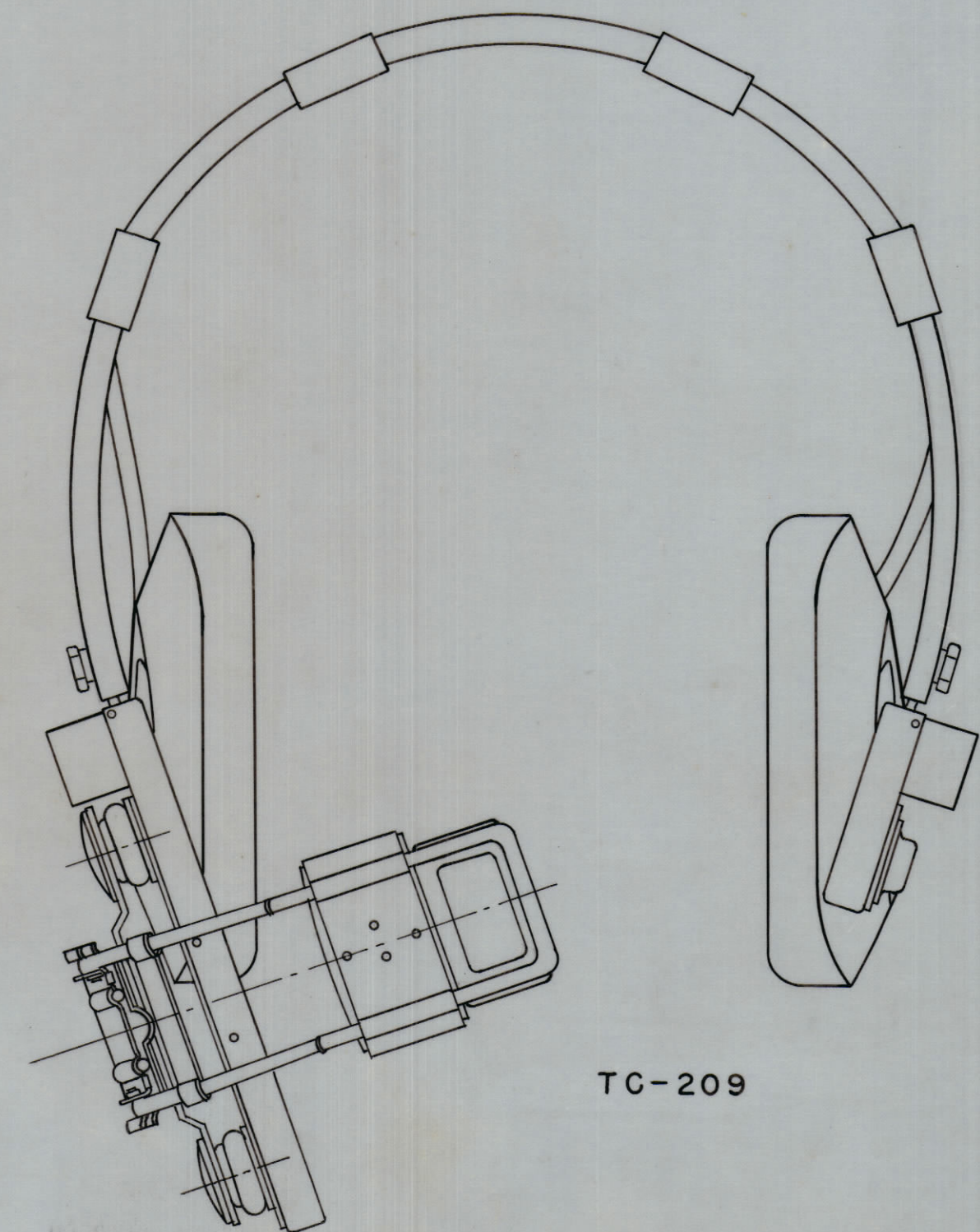
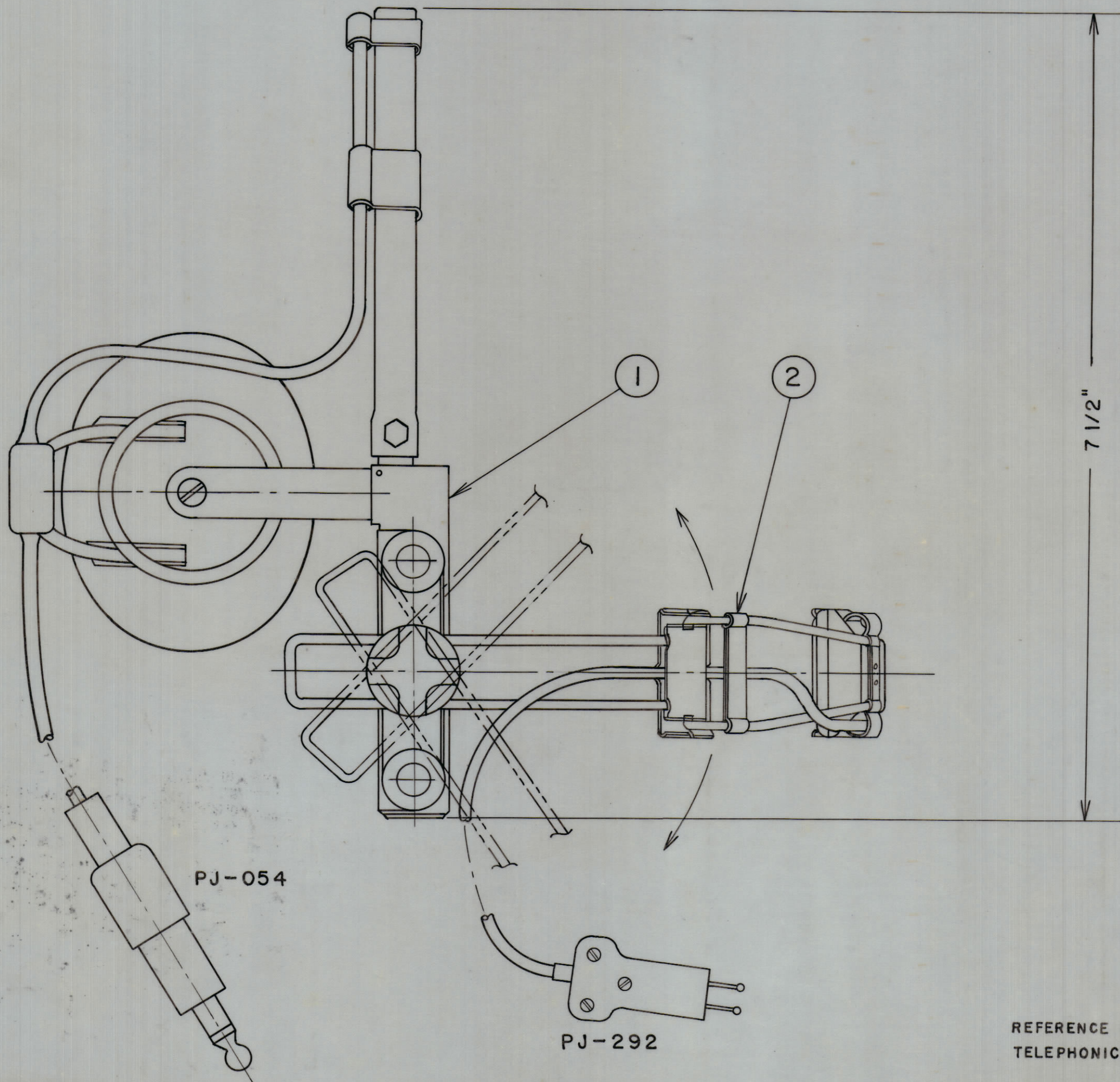
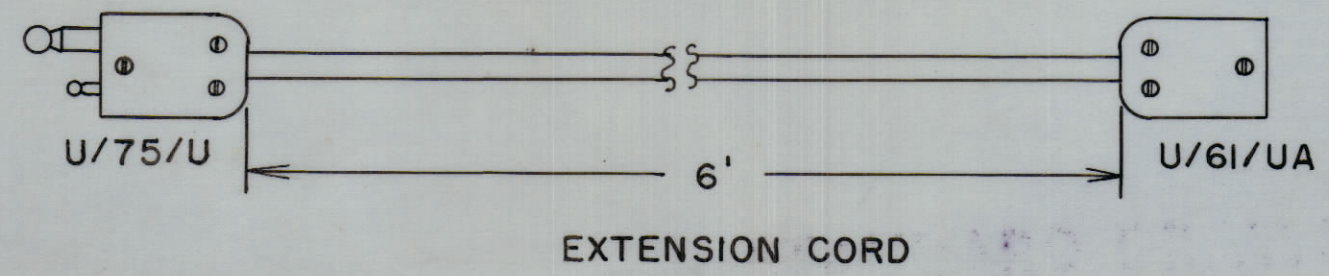
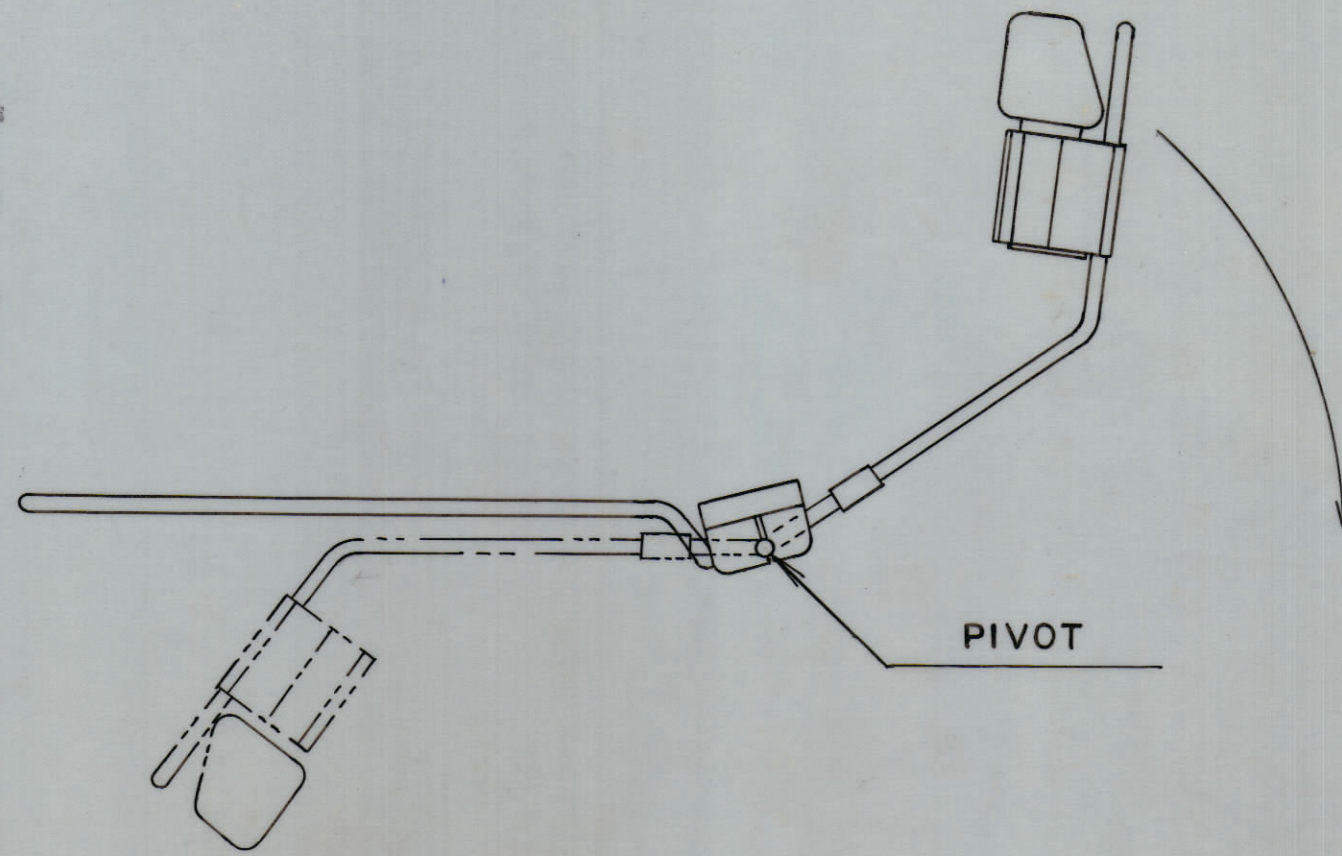
NOTICE TO PERSONS RECEIVING THIS DRAWING

THE TECHNICAL MATERIEL CORPORATION claims proprietary right in the material disclosed herein. This drawing is issued in confidence for engineering information only and may not be reproduced or used to manufacture anything shown herein without permission from THE TECHNICAL MATERIEL CORPORATION to the user. This drawing is loaned for mutual assistance and is subject to recall at any time.

Property of:

THE TECHNICAL MATERIEL CORPORATION
MAMARONECK, NEW YORK

STANDARD DRAWING



REFERENCE DWG. NO. 20016
TELEPHONICS CORP., HUNTINGTON, N.Y.

28-1-55

REQ.	ITEM	PART NO.	DESCRIPTION
1	2	24076	WAFER HEADSET
1	1	14045	BOOM & MICROPHONE ASS'Y
			TMC (Canada) LIMITED OTTAWA ONTARIO
HEADSET MICROPHONE ASS'Y (WAFER & FOLDING BOOM)			
J.W.T. DRAWN		CHECKED	FINAL APPROVAL
			HP-10005