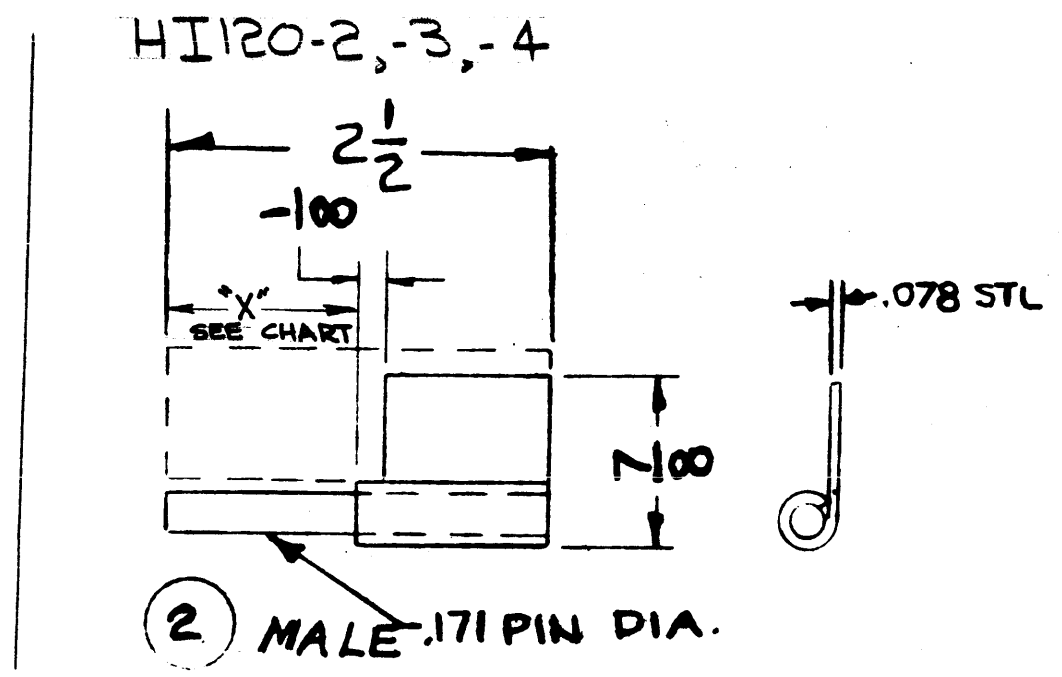
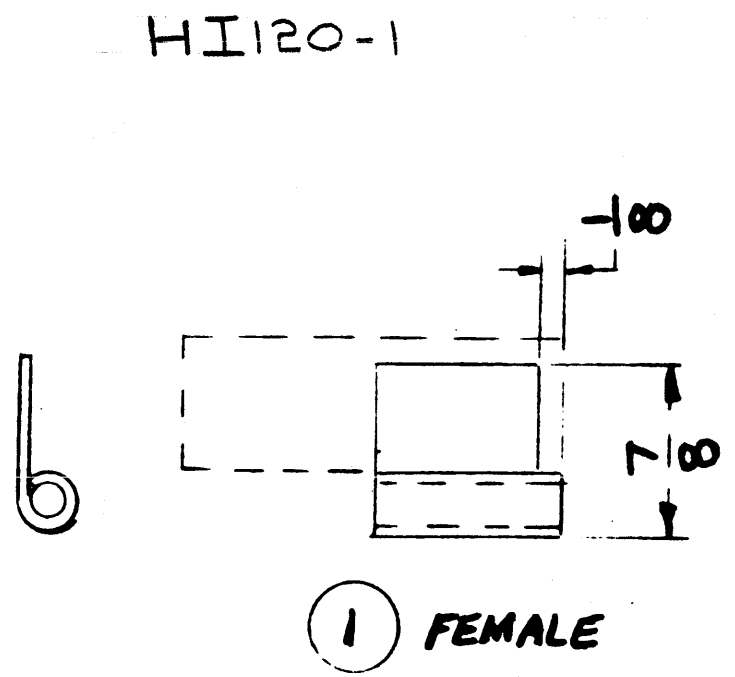


HI120

REVISIONS					
SYM	DESCRIPTION	DATE	E.M.N. NO.	DRAFT	APPD
X	EXPER. RELEASE	10-14-64	X	<i>[Signature]</i>	
Ø	ORIGINAL RELEASE FOR PRODUCTION	11-25-64	Ø	<i>[Signature]</i>	

RIGHT HAND HINGE SHOWN

TMC NO.	TYPE	DIM "X"
HI120-1	FEMALE	N/A
↓ -2	MALE	1"
↓ -3	MALE	1 1/8"
HI120-4	MALE	1 1/4"



SLIP JOINT HINGE 1 3/4 OPEN X 2 1/2 LG X
 .078 STL X .171 PIN DIA.

3	RAK 102-1	A 3717
QTY/UNIT	MODEL USED ON	APPY. NO.
SCALE	CODE	
	A	

NOTES

THE CONTENTS OF THIS DRAWING ARE THE EXCLUSIVE PROPERTY OF THE TECHNICAL MATERIEL CORP. ITS UNAUTHORIZED USE OR REPRODUCTION IN WHOLE OR IN PART IS STRICTLY FORBIDDEN.

REQ'D.	ITEM	PART NUMBER	DESCRIPTION	SYMBOL
STURMER LIST OF MATERIAL				
MATERIAL		THE TECHNICAL MATERIEL CORP. MAMARONECK, NEW YORK		
AS NOTED		HINGE MODIFIED		
FINISH		TITLE		
CADMIUM PLATE		HINGE MODIFIED		
UNLESS OTHERWISE SPECIFIED DIMENSIONS ARE IN INCHES AND INCLUDE CHEMICALLY APPLIED OR PLATED FINISHES				
DECIMALS		FRACTIONS		
I ± .05		± 1/64		
II ± .01		ANGLES		
III ± .005		± 0 30'		
TOLERANCES				
DRAWN	DATE	FINAL APPROVAL		DATE
<i>[Signature]</i>	11-25-64	<i>[Signature]</i>		
CHECKED	DATE			
<i>[Signature]</i>	11-25-64			
ELECT. DES.	DATE			
<i>[Signature]</i>	11-25-64			
ENGR. DES.	DATE			
<i>[Signature]</i>	11-25-64			
HI120				Ø
SHEET				REV. LTR.