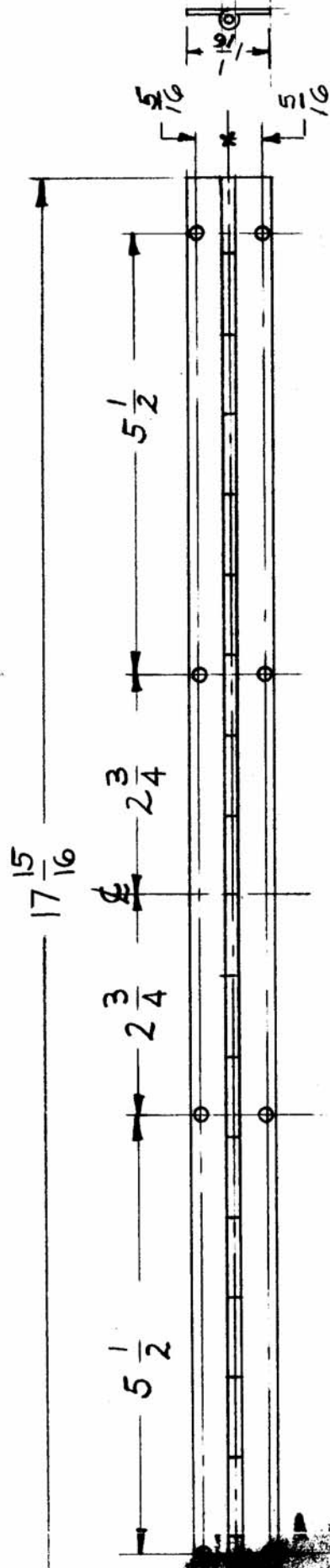


RE. PER. UNIT	USED ON	MODEL	DATE
1		GPT-40K	3-7-60
		AP-103	
			HI-112
			A



ALL HOLES 5/32 (.156) D. 8 REQ.

MAT'L. - DURALUMINUM  
 DIA. .095  
 HINGE WIDTH 1-1/16"  
 TYPE - PLAIN, NO SWAGE

FINISH {  
 HI-112-1 { 5404 - YEL. IRIDITE  
 5114 - ZINC CHROMATE PRIMER  
 5115 - SMOOTH GREY ENAMEL.  
 HI-112-2 { 5404 YEL IRIDITE  
 5114 ZINC CHROMATE PRIMER  
 5788 BLK VINYL CORETEX PAINT.

REQ. ITEM	PART NO.	DESCRIPTION	SYMBOL
	.040	THE TECHNICAL MATERIEL CORP.	
	STOCK SIZE	MAMARONECK, NEW YORK	
	ALUMINUM	HINGE, DOOR	
5052-H32			
TYPE & TEMPER	HEAT TREAT. SPEC.	CHECKED	FINAL APPROVAL
SEE NOTE		TOBILLO	HI-112
FINISH & SPEC. NO.	ELEC. DES. APP. MECH. DES. APP.		A

DATE 10/1/63  
 CH. NO. 10107  
 DRAFTS  
 CHECKER  
 ENG. APP.  
 SCALE: 1/2  
 MAXIMUM ALLOWABLE TOLERANCES HAVE BEEN DETERMINED AND ANY DEVIATIONS WILL BE CAUSE FOR REJECTION. REMOVE ALL BURRS AND SHARP EDGES