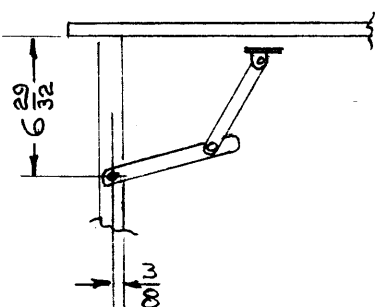
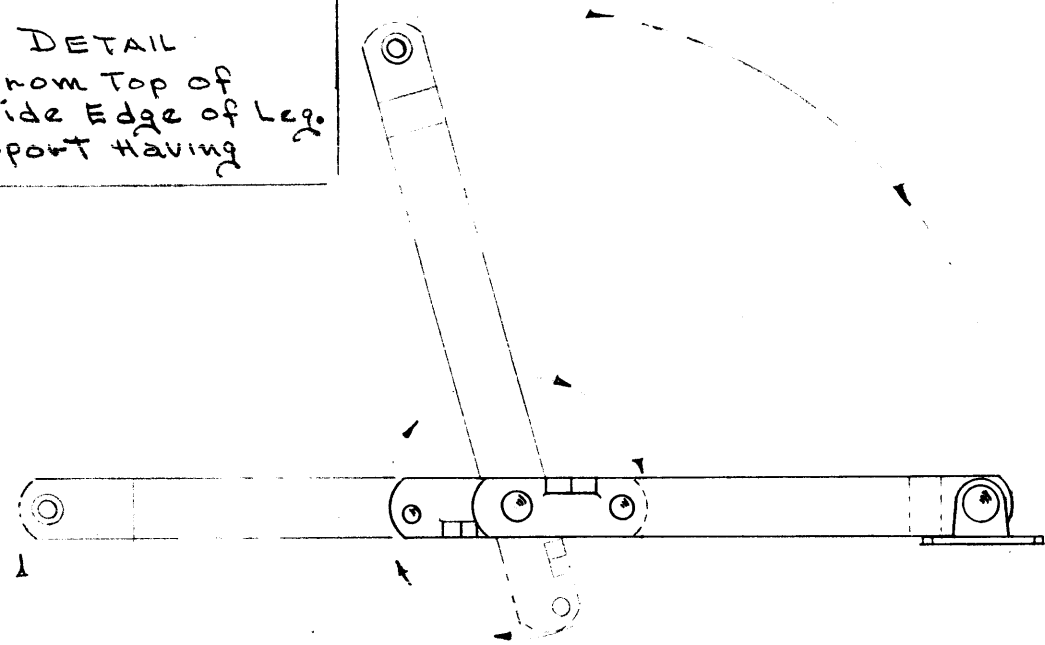
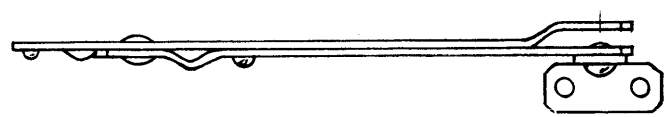


HI-111

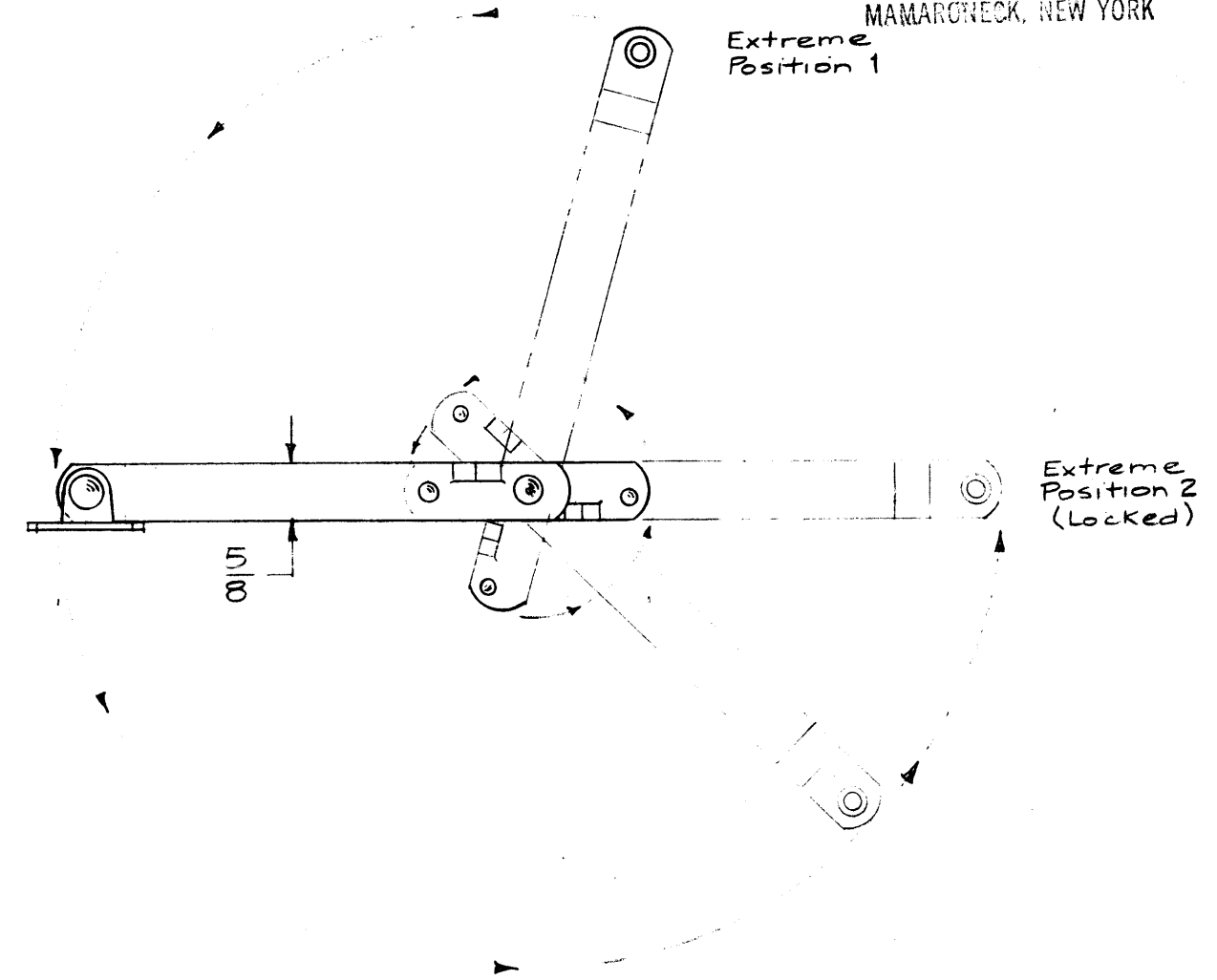
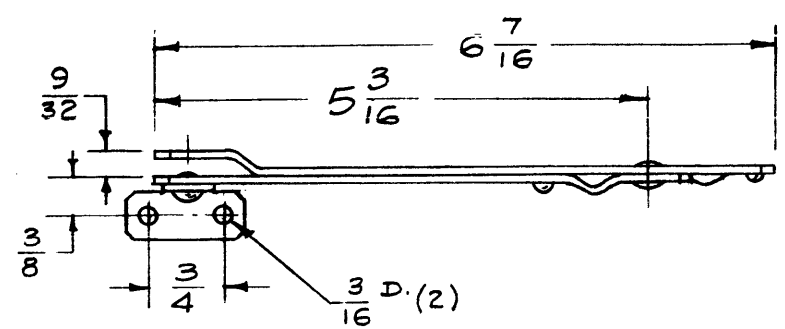


MOUNTING DETAIL

Measure $6 \frac{29}{32}$ From Top of Leg & $\frac{3}{8}$ From Inside Edge of Leg. Mount End of Support Having Single Hole.



HI-111-1 (MFG NO. 927M (Left))



HI-111-2 (MFG NO. 927M (Right))

NOTICE TO PERSONS RECEIVING THIS DRAWING

THE TECHNICAL MATERIEL CORPORATION claims proprietary right in the material disclosed hereon. This drawing is issued in confidence for engineering information only and may not be reproduced or used to manufacture anything shown hereon without permission from THE TECHNICAL MATERIEL CORPORATION to the user. This drawing is loaned for mutual assistance and is subject to recall at any time.

Property of:
THE TECHNICAL MATERIEL CORPORATION
 MAMARONECK, NEW YORK
 Extreme Position 1

Extreme Position 2 (Locked)

							REF- AMERICAN CABINET HARDWARE CORP. (AMEROCK)			REQ. ITEM	PART NO.	DESCRIPTION	SYMBOL
										STOCK SIZE		THE TECHNICAL MATERIEL CORP. MAMARONECK, NEW YORK	
										STEEL		SUPPORT, HINGE TYPE	
										MATERIAL			
										TYPE & TEMPER		DRAWN	
										Bright Nickel Plate		CHECKED	
										FINISH & SPEC. NO.		FINAL APPROVAL	
										ELEC. DES. APP.		MECH. DES. APP.	
												HI-111	

ISSUE ITEM	CHANGED FROM	DATE	CH. NO.	DRAFTS	CHECKER	ENG. APP.
TOLERANCES						
SCALE: 1/2						
DEC. DIM. ±						
FRAC. DIM. ±						
ANGULAR DIM. ±						
MAXIMUM ALLOWABLE TOLERANCES HAVE BEEN DETERMINED AND ANY DEVIATIONS WILL BE CAUSE FOR REJECTION. REMOVE ALL BURRS AND SHARP EDGES						
REQ. PER UNIT						
MODEL						
PROJECT NO.						
ASS'Y. NO.						
DATE						
USED ON						