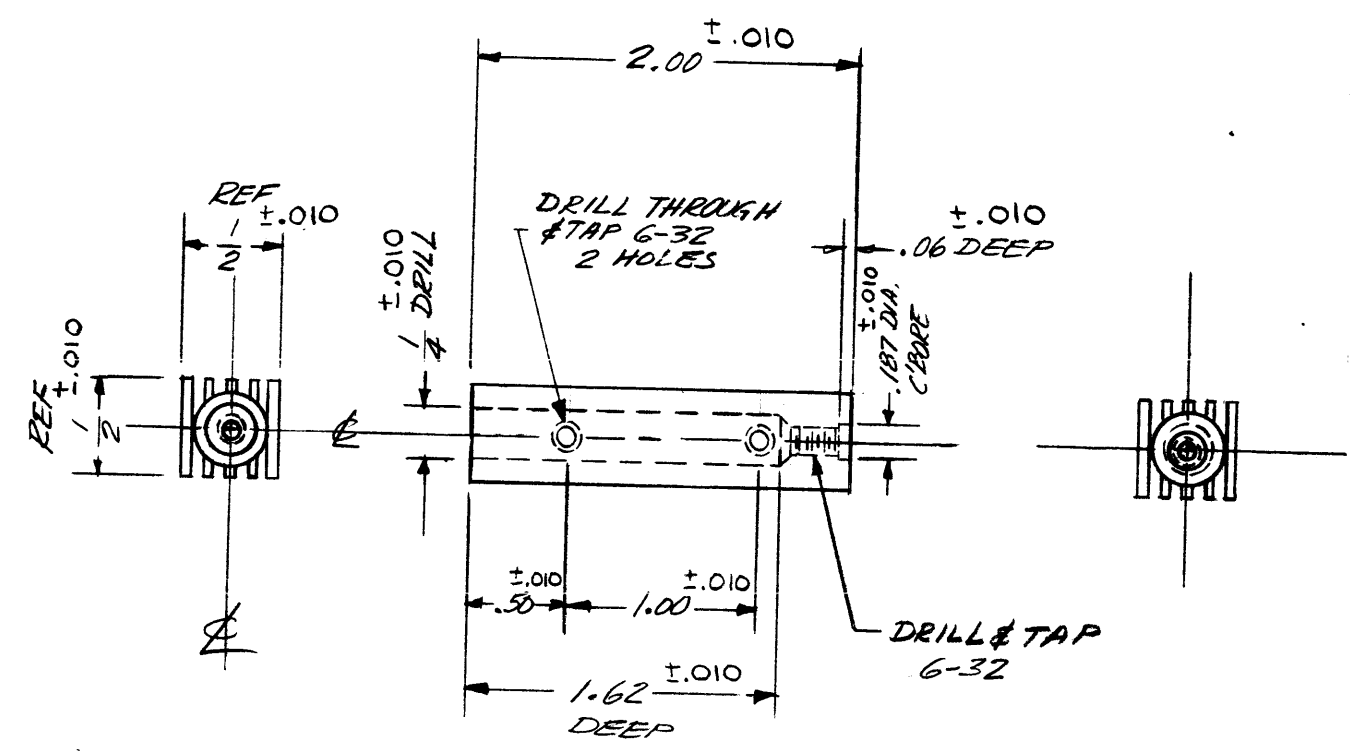


REVISIONS						
ZONE	LTR	DESCRIPTION	DATE	E.M.N.NO	DRAFT	CHKD APPD
	X	EXP. RELEASE	2-15-67	X	RME	
	Ø	ORIGINAL RELEASE	8/19/69	Ø		



NOTE :
MATERIAL - GRI EXTRUDED ALUMINUM , UNMACHINED

2	SMEE -1A	
2	SMEE -1	
2	SMEC -1	
2	SMEB -1	
2	SMEA -1	
QTY / UNIT	MODEL USED ON	ASS'Y NO.

APPLICATION

CODE

NOTICE TO PERSONS RECEIVING THIS DRAWING
 THE TECHNICAL MATERIEL CORPORATION claims proprietary right in the material disclosed hereon. This drawing is issued in confidence for engineering information only and may not be reproduced or used to manufacture anything shown hereon without permission from THE TECHNICAL MATERIEL CORPORATION to the user. This drawing is loaned for mutual assistance and is subject to recall at any time.

UNLESS OTHERWISE SPECIFIED
DIMENSIONS ARE IN INCHES
AND INCLUDE CHEMICALLY APPLIED
OR PLATED FINISHES

DECIMALS	FRACTIONS
.X ± .05	1/64
.XX ± .01	TOLS. ANGLES
.XXX ± .005	0° .30'

MATERIAL
SEE NOTE

FINISH SIZE
BLACK ANODIZE,
DULL

REQ'D	ITEM	PART NUMBER	DESCRIPTION	SYM.
LIST OF MATERIAL				
THE TECHNICAL MATERIEL CORP. MAMARONECK, NEW YORK				
HEAT SINK				
FINAL APPROVAL		DATE		
MECH. DES.		DATE		
ELECT. DES.		DATE		
CHECKED		DATE		
DRAWN	RME	DATE	2-15-67	
SIZE	B	CODE IDENT. NO.	82679	DWG NO.
				HD108
SCALE		SHEET	OF	