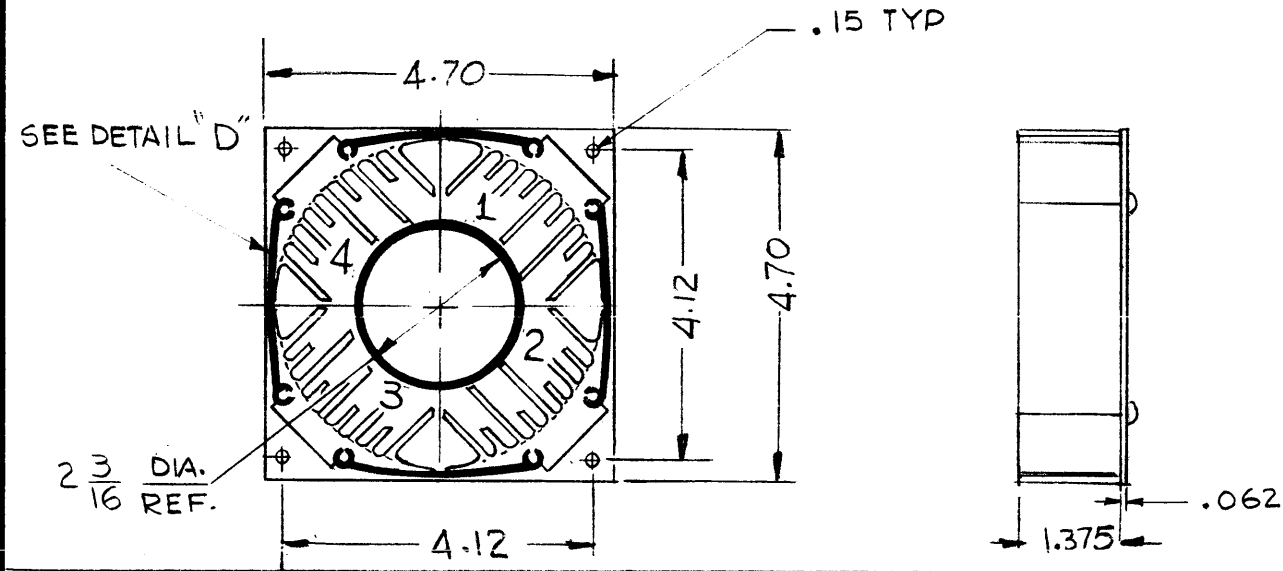
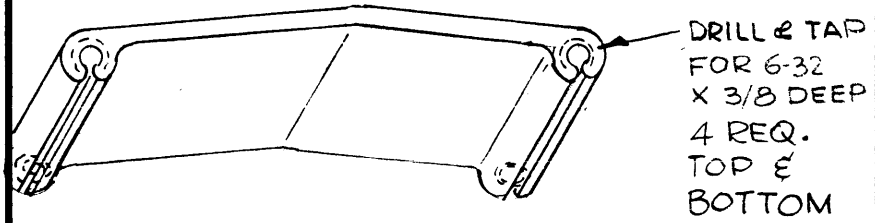
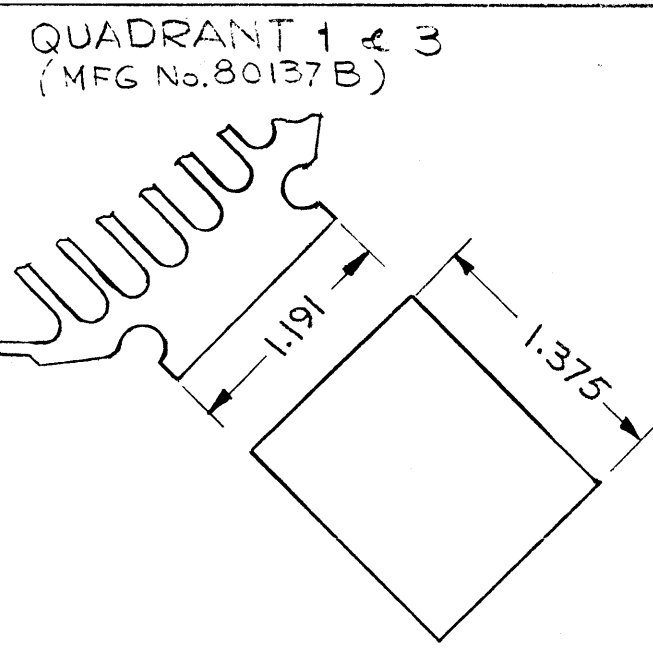
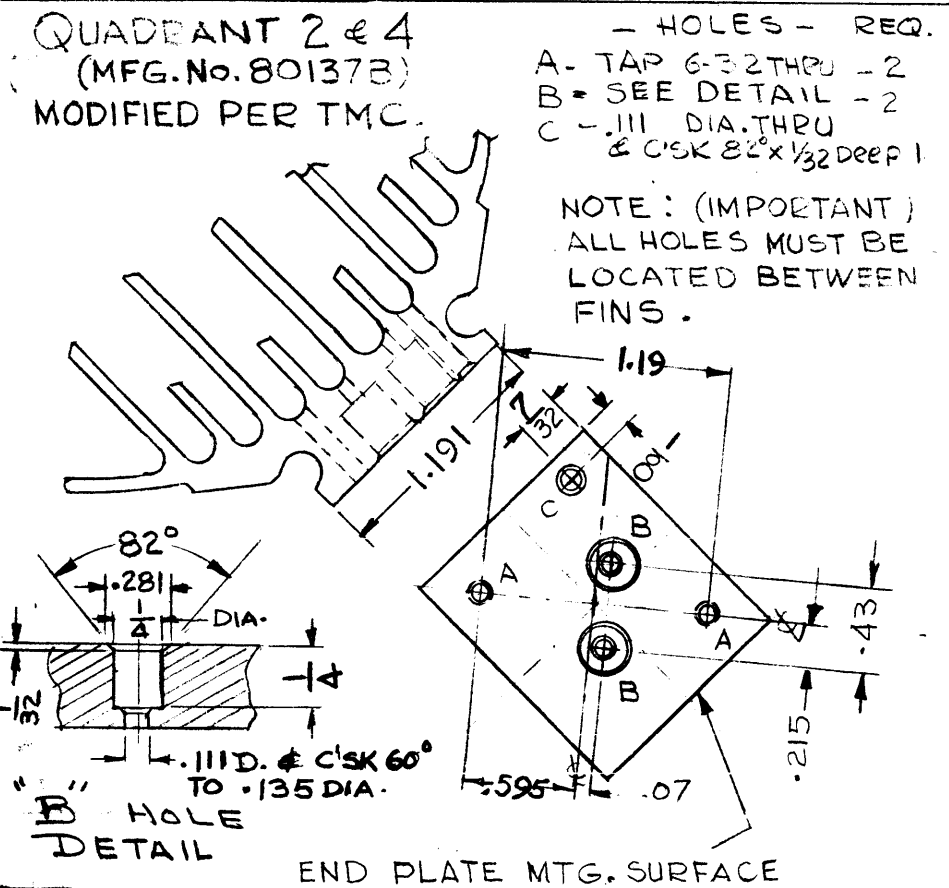


# STANDARD DRAWING

DETAIL "D"  
4 REQ



STYLE "B"



QTY./UNIT	MODEL USED ON	ASSY. NO.
SCALE	CODE	
	B	S401-108

THE CONTENTS OF THIS DRAWING ARE THE EXCLUSIVE PROPERTY OF THE TECHNICAL MATERIEL CORP. ITS UNAUTHORIZED USE OR REPRODUCTION IN WHOLE OR IN PART IS STRICTLY FORBIDDEN.

HD104

## REVISIONS

SYM	DESCRIPTION	DATE	E.M.N. NO.	DRAFT	CHKD	APPD
X1	"B" HOLES MODIFIED, MTC FOR -1 & -3 WAS 'N'	4-22-66	X1	GDL		
X2	SPECIFICATION CLARIFIED - CHART QUAD. DELETED	4-30-66	X2	GDL		
X3	DET. "D" CLARIFIED	5/26/66	X3	JD		
Ø	ORIGINAL RELEASE FOR PRODUCTION	8/4/66	Ø	CV		

- SPECIFICATIONS
- MATERIAL & FINISH
- MODULE: BLACK ANODIZED ALUMINUM
- END PLATE: CADMIUM, PLATED STEEL. 1 REQ
- MODIFIED PER TMC REQ.
- FAN GASKET: POLYETHYLENE FOAM 1 PER, SUPPLIED BY MFG.
- QUADRANT INSULATION: PHENOLIC AND TEDLAR OR EQUIV. (FOUR (4) PHENOLIC INSULATING STRIPS SUPPLIED LOOSE, BY MFG.)
- CYLINDER: PHENOLIC OR EQUIV. TO BE CEMENTED IN PLACE.

REQ'D.	ITEM	PART NUMBER	DESCRIPTION	SYMBOL
--------	------	-------------	-------------	--------

### EATON LIST OF MATERIAL

MATERIAL		THE TECHNICAL MATERIEL CORP. MAMARONECK, NEW YORK			
FINISH		TITLE HEAT DISSIPATOR FORCED AIR			
UNLESS OTHERWISE SPECIFIED DIMENSIONS ARE IN INCHES AND INCLUDE CHEMICALLY APPLIED OR PLATED FINISHES		DRAWN G.D.L.	DATE 4-18-66	FINAL APPROVAL <i>F. E. Eaton</i>	DATE 8/4/66
DECIMALS .X ± .05 .XX ± .01 .XXX ± .005		CHECKED <i>gfs</i>	DATE 4/19/66	HD 104	Ø
FRACTIONS ± 1/64 ANGLES ± 0° 30'		ELECT. DES. <i>gfs</i>	DATE 5/2/66		
TOLERANCES		MECH. DES. <i>B. Barnes</i>	DATE 5/26/66		
		SHEET		REV. LTR.	