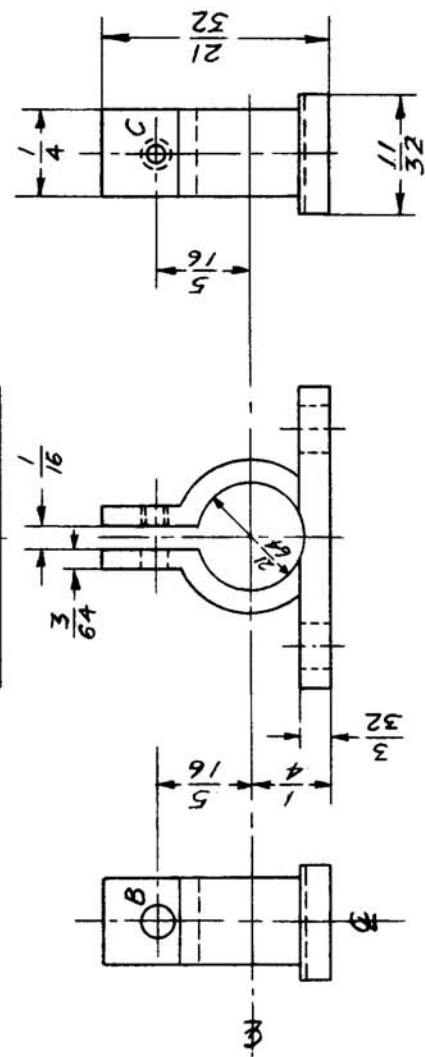
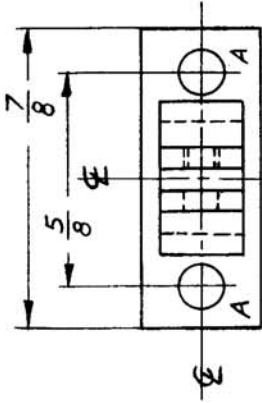


ISSUE	ITEM	CHANGED FROM	DATE	CN. NO.	DRAFTS	CHECKER	ENG. APP.	REQ.	ITEM	PART NO.	DESCRIPTION	SYMBOL
Ø		REL. TO PROD.	OCT 19/65		GM							



MATERIAL: COPPER
 FINISH: GOLD IRIDITE MIL-C-5541
 (1) 2-56 x 1/4 LG. BRASS
 SCREW SUPPLIED BY MFR.
 INSULATION: NONE
 THERMAL RESISTANCE
 21.8 DEGREES C/WATT AT 1 WATT
 20.1 DEGREES C/WATT AT 2 1/2 WATTS
 ACCOMMODATES T05 OR SIMILAR
 TRANSISTOR CASE

HOLE LEGEND	REQ'D.
A HOLE 9/64 DIA	2 REQ.
B HOLE 3/32 DIA	1 REQ.
C HOLE DRILL & TAP 2-56 THD	1 REQ.

S-401-105 MFG'R PART NO. (9022-162U)

MODEL	PROJECT NO.	ASSY. NO.	DATE
AMC 20	020/65	A10383/10385	19-10-65
USED ON			
TOLERANCES		SCALE N.T.S.	
DEC. DIM. ±		DIMENSIONS IN INCHES	
FRAC. DIM. ± 1/64		UNLESS OTHERWISE SPECIFIED	
ANGULAR DIM. ±		DRILL, PUNCH, COMMERCIAL STOCK	
		SIZES AND MANUFACTURERS	
		TOLERANCES ARE NOT INCLUDED.	
IF IT IS FOUND DESIRABLE TO CHANGE ANY TOLERANCE OR OTHER DETAIL SPECIFIED ON THIS DRAWING NOTIFY THE PURCHASER PROMPTLY.			
MAXIMUM ALLOWABLE TOLERANCES HAVE BEEN DETERMINED AND DEVIATIONS WILL BE CAUSE FOR REJECTION. REMOVE ALL BURRS AND SHARP EDGES		STOCK SIZE MATERIAL TYPE & TEMPER HEAT TREAT. SPEC. FINISH & SPEC. NO.	
TMC (Canada) LIMITED OTTAWA HEAT SINK, CONDUCTION		BEDFORD HD 10001	
MECH. DES. APP. ELEC. DES. APP. FINAL APPROVAL		MECH. DES. APP. ELEC. DES. APP. FINAL APPROVAL	