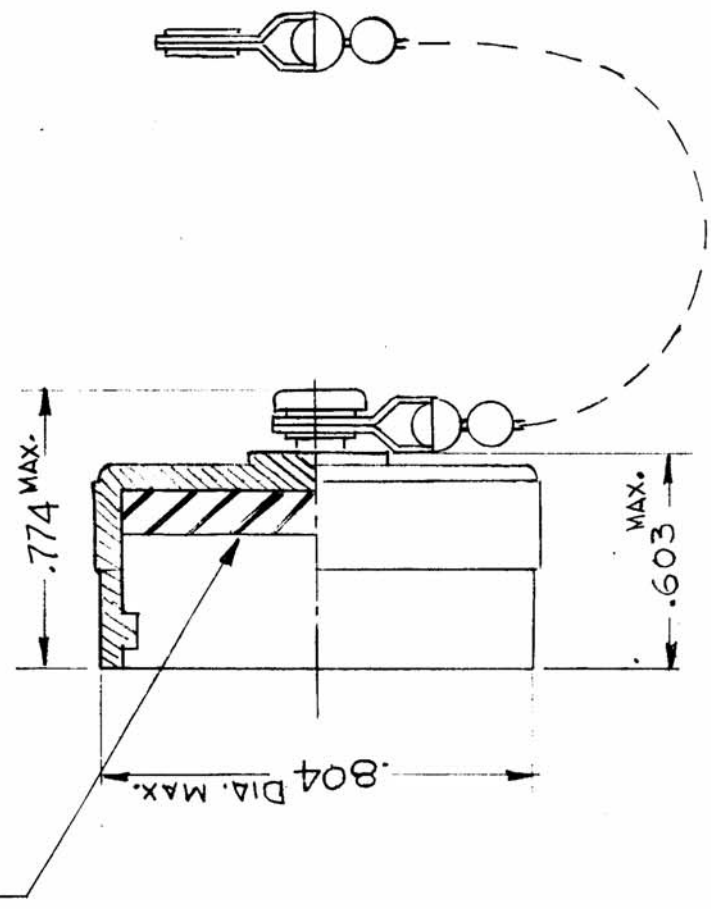


REQ. PER UNIT	4	USED ON	HB123
MODEL	BPSX-1	ASSY. NO.	
DATE	10-27-64		

SMOOTH SIDE OF GASKET
MUST FACE OUT



— SPECIFICATIONS —
 TYPE LOCKING: BAYONET
 MATERIAL & FINISH:
 CAP-ALUMINUM
 GREY ANODIZE
 CHAIN- BRASS CADMIUM PLATE CLEAR
 RUBBER GASKET SUPPLIED BY MFG.

STANDARD DRAWING

REQ. ITEM	★	PART NO.		DESCRIPTION	SYMBOL
		STOCK SIZE		THE TECHNICAL MATERIEL CORP. MAMARONECK. NEW YORK	
		MATERIAL		CAP & CHAIN	
TYPE & TEMPER	★	HEAT TREAT. SPEC.		G.D.L @ 12-4-64	
FINISH & SPEC. NO.	★			DRAWN	
		CHECKER		10-27-64	
		DATE		12-7-64	
		CH. NO.		DRAFTS	
		SCALE		★	
		CODE		5401-71 (67-1467)	
		TOLERANCES		DECIMALS	
				± .05	
				± .01	
				± .005	
				ANGLES	
				± 0° 30'	
				± 0° 30'	
				FINAL APPROVAL	
				HB123	