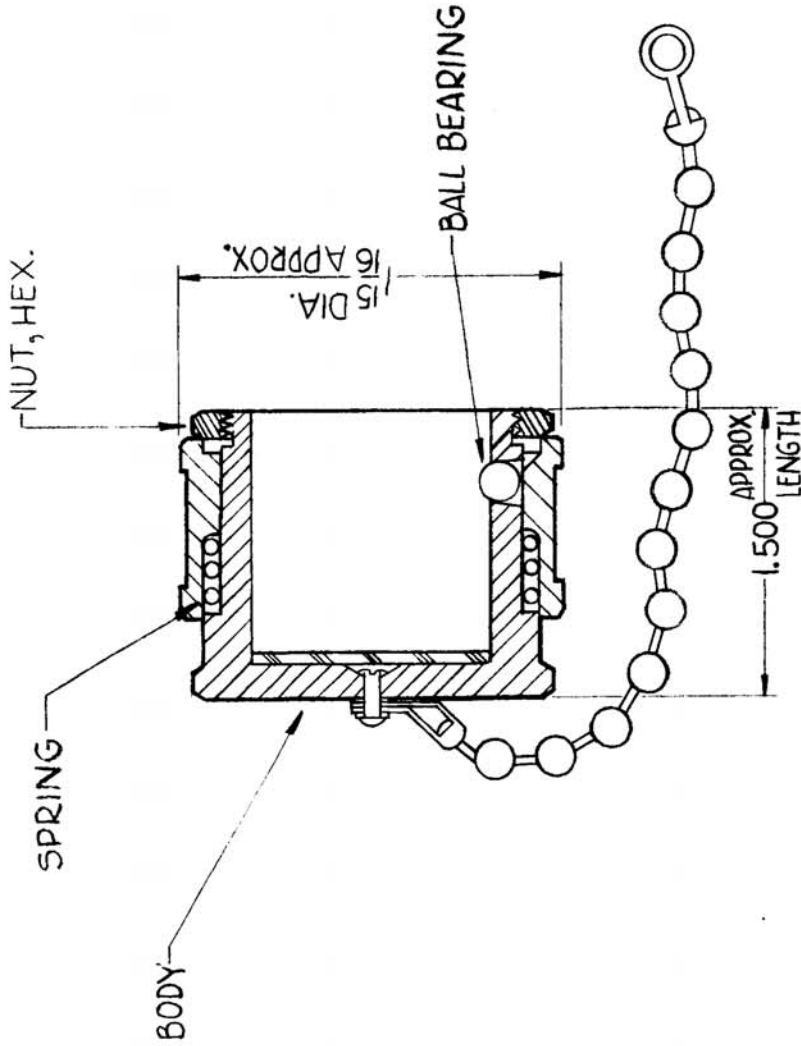


REQ. PER UNIT	USED ON	HB-117
	MODEL	
	ASSY. NO.	
	DATE	5-2-61

MATERIAL: BODY; BRASS
 FINISH: SILVER PLATED w/RHODIUM FLASH
 MATES w/ ALL QDL RECEPTACLES
 CHAIN LENGTH: 8 INCHES



REQ. ITEM	PART NO.	DESCRIPTION	SYMBOL
		THE TECHNICAL MATERIEL CORP.	
		MAMARONECK, NEW YORK	
		COVER, ELECTRICAL, CONNECTOR	
		INSERT TYPE QDL	
ISSUE ITEM	CHANGED FROM	DRAWN	CHECKED
		D.D. Moore	J. S. [Signature]
		TYPE & TEMPER	HEATTREAT. SPEC.
		FINISH & SPEC. NO.	
			HB-117
			FINAL APPROVAL
			ELEC. DES. APP. MECH. DES. APP.

SCALE: 5/16-70 (2018)
 MAXIMUM ALLOWABLE TOLERANCES HAVE BEEN DETERMINED AND ANY DEVIATIONS WILL BE CAUSE FOR REJECTION. REMOVE ALL BURRS AND SHARP EDGES

DEC. DIM. ±
 FRAC. DIM. ±
 ANGULAR DIM. ±