

THE CONTENTS OF THIS DRAWING ARE THE EXCLUSIVE PROPERTY OF THE TECHNICAL MATERIEL CORP. ITS UNAUTHORIZED USE OR REPRODUCTION IN WHOLE OR IN PART IS STRICTLY FORBIDDEN.

REQ. PER UNIT

MODEL

USED ON ASS'Y. NO.

DATE

HB-115

11-20-61

ELECTRICAL SPECIFICATIONS
 SERIES - LC
 MATES - JJ-174, JJ-206

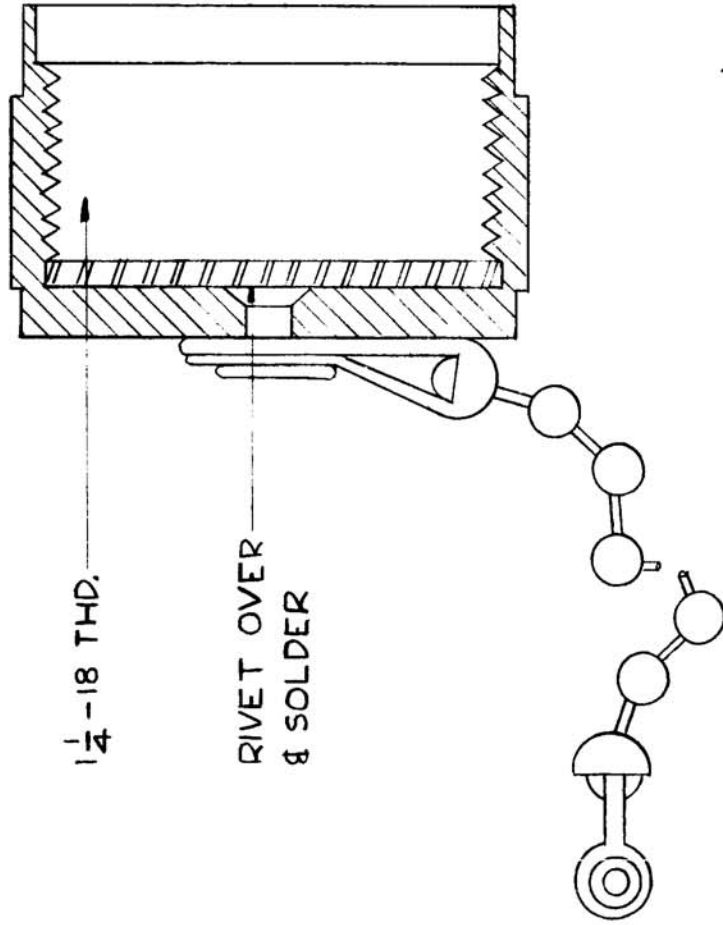
NOTES:

MATERIAL

BODY - BRASS

FINISH - SILVER PLATE &
 RHODIUM FLASH

CHAIN LENGTH - $7\frac{1}{2}$ INCHES



| REQ. ITEM | PART NO. | DESCRIPTION | SYMBOL |
|-----------|--------------------|---|----------------|
| | | THE TECHNICAL MATERIEL CORP. MAMARONECK, NEW YORK | |
| | STOCK SIZE | | |
| | SEE NOTES | CAP ASSEMBLY (LC) | |
| | MATERIAL | | |
| | | L. I. | SPM |
| | TYPE & TEMPER | CHECKED | FINAL APPROVAL |
| | HEAT TREAT. SPEC. | DRAWN | |
| | SEE NOTES | | HB-115 |
| | FINISH & SPEC. NO. | ELEC. DES. APP. MECH. DES. APP. | |
| SYM | DESCRIPTION | DATE | CH. NO. |
| | | | DRAFTS |
| | | | CHECKER |
| | | | ENG. APP. |
| | | SCALE: S-401-70-334 | |
| | | UNLESS OTHERWISE SPECIFIED: DIMENSIONS ARE IN INCHES TOLERANCES ON FRAC. ± 1/64 DEC. ± .005 ANGLES ± 1/2° | |
| | | MAXIMUM ALLOWABLE TOLERANCES HAVE BEEN DETERMINED AND ANY DEVIATIONS WILL BE CAUSE FOR REJECTION. REMOVE ALL BURRS AND SHARP EDGES | |