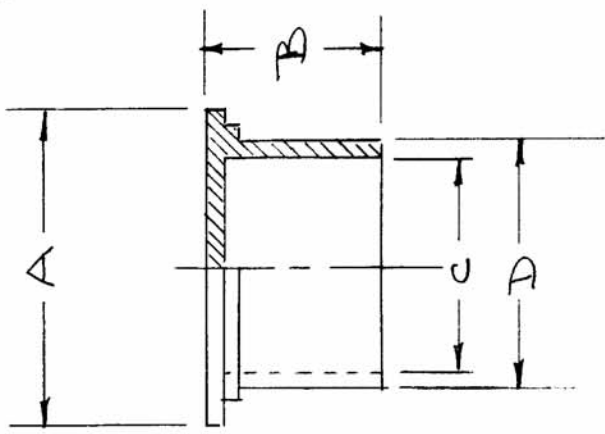


HB-110

USED ON  
MODEL ASS'Y. NO. DATE

REQ. PER UNIT

TMC NUMBER	MFG. NUMBER	FOR MS CONNECTOR SHELL SIZE		CONNECTOR THREAD SIZE	DIMENSIONS			
		COUPLING END OF	CONDUIT END OF		A +.010	B +1/64	C	D +1/64
HB-110-1	025-0459-000	85	85, 10S	1/2	.719	.425	.489	.539
HB-110-2	025-0460-000	10S, 10SL	10SL, 12, 12SL	5/8	.833	.685	.603	.653
HB-110-3	025-0462-000	12, 12S	14, 14S	3/4	.958	"	.728	.778
HB-110-4	025-0463-000	14, 14S	16, 16S	7/8	1.083	"	.853	.903
HB-110-5	025-0498-000	16, 16S	18	1	1.225	"	.985	1.045
HB-110-6	025-0501-000	28	32	1 3/4	1.970	"	1.730	1.790
HB-110-7	025-0502-000	32	36	2	2.230	"	1.980	2.040
HB-110-8	025-0503-000	36	40	2 1/4	2.480	"	2.230	2.290
HB-110-9	025-0504-000	40	44	2 1/2	2.732	"	2.480	2.540
HB-110-10	025-0505-000	48	48	3	3.242	"	2.980	3.040
HB-110-11	025-0507-000	18		1 1/8	1.350	"	1.110	1.170
HB-110-12	025-0468-000	20		1 1/4	1.485	"	1.235	1.295
HB-110-13	025-0469-000	22		1 3/8	1.610	"	1.360	1.420
HB-110-14	025-0510-000	24		1 1/2	1.725	"	1.485	1.545
HB-110-15	025-0511-000	44		2 3/4	2.992	"	2.730	2.790
HB-110-16	025-0499-000		20, 22	1 3/16	1.412	"	1.172	1.232
HB-110-17	025-0500-000		24, 28	1 7/16	1.662	"	1.422	1.482



CANNON ELECT. CO.

REQ. ITEM	PART NO.	DESCRIPTION	SYMBOL
		THE TECHNICAL MATERIEL CORP. MAMARONECK. NEW YORK	
		POLYETHYLENE	
		CAP, DUST, PLASTIC	
		MS CONNECTOR	
		LG	
		CHECKED	FINAL APPROVAL
		DRAWN	
		HEAT TREAT. SPEC.	
		FINISH & SPEC. NO.	HB-110
		ELEC. DES. APP. MECH. DES. APP.	

SCALE:  
MAXIMUM ALLOWABLE TOLERANCES HAVE BEEN DETERMINED AND ANY DEVIATIONS WILL BE CAUSE FOR REJECTION.  
REMOVE ALL BURRS AND SHARP EDGES