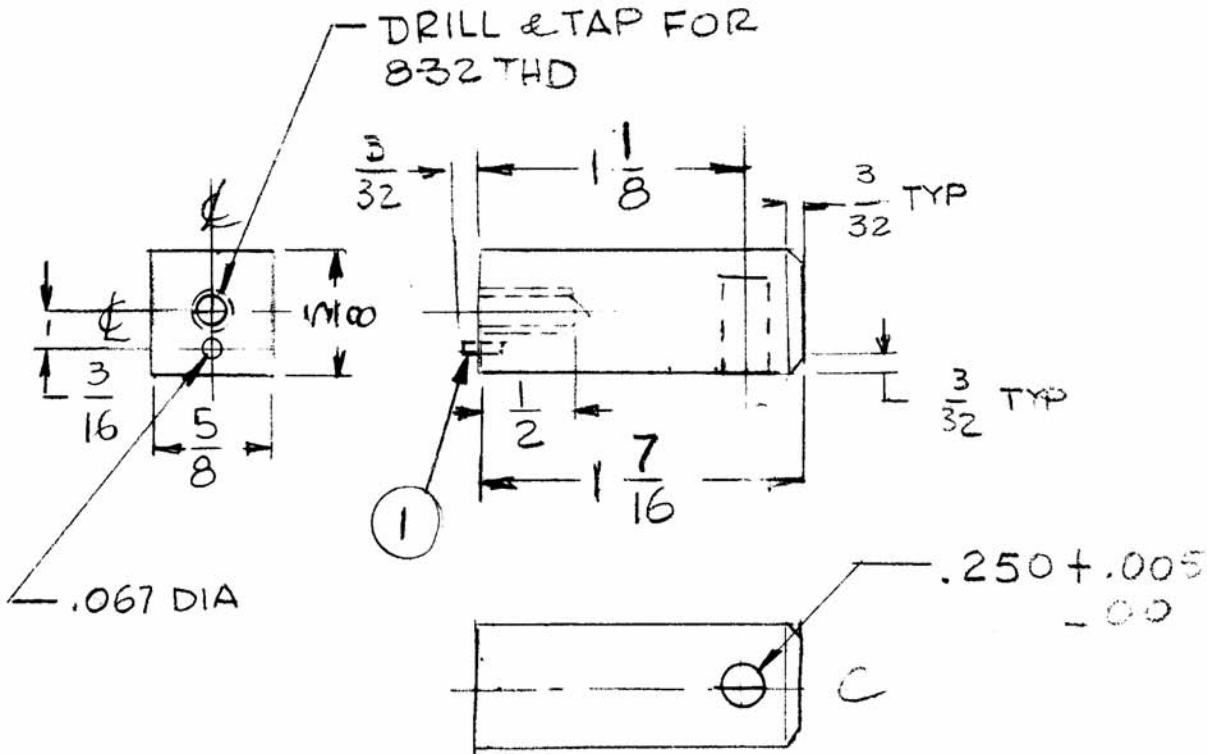


APPLICATION				REVISIONS					
QTY	MODEL USED ON	ASS'Y NO.	LTR	DESCRIPTION	DATE	E.M.N.NO	DRAFT	CHKD	APPD

18
SME-5/8
TMA-5/8
HF-5/8
DOW. SUPPLY



(PART OF

1	1	PN-5-9.0623/16	PIN	
REQ'D	ITEM	PART NUMBER	DESCRIPTION	SYM.

UNLESS OTHERWISE SPECIFIED DIMENSIONS ARE IN INCHES AND INCLUDE CHEMICALLY APPLIED OR PLATED FINISHES

DECIMALS	FRACTIONS
.X ± .05	1/64
.XX ± .01	ANGLES
.XXX ± .005	0° - 30°

MATERIAL 5/8 X 5/8 ALUM TYPE 3003-T3

FINISH CHROMIUM PLATE

BRIGHT FED SPEC QQ-C-320 CU-TPI

LIST OF MATERIAL			
FINAL APPROVAL	DATE	THE TECHNICAL MATERIEL CORP. MAMARONECK, NEW YORK HANDLE SUPPORT	
MECH. DES.	DATE		
ELECT. DES.	DATE		
CHECKED	DATE		
DRAWN G.D.L.	DATE		

NOTICE TO PERSONS RECEIVING THIS DRAWING
THE TECHNICAL MATERIEL CORPORATION claims proprietary right in the material disclosed hereon. This drawing is issued in confidence for engineering information only and may not be reproduced or used to manufacture anything shown hereon without permission from THE TECHNICAL MATERIEL CORPORATION to the user. This drawing is loaned for mutual assistance and is subject to recall at any time.

SIZE	CODE IDENT. NO.	DWG NO.	ISSUE
A	82679	HA 137	
SCALE	1:1	SHEET	OF