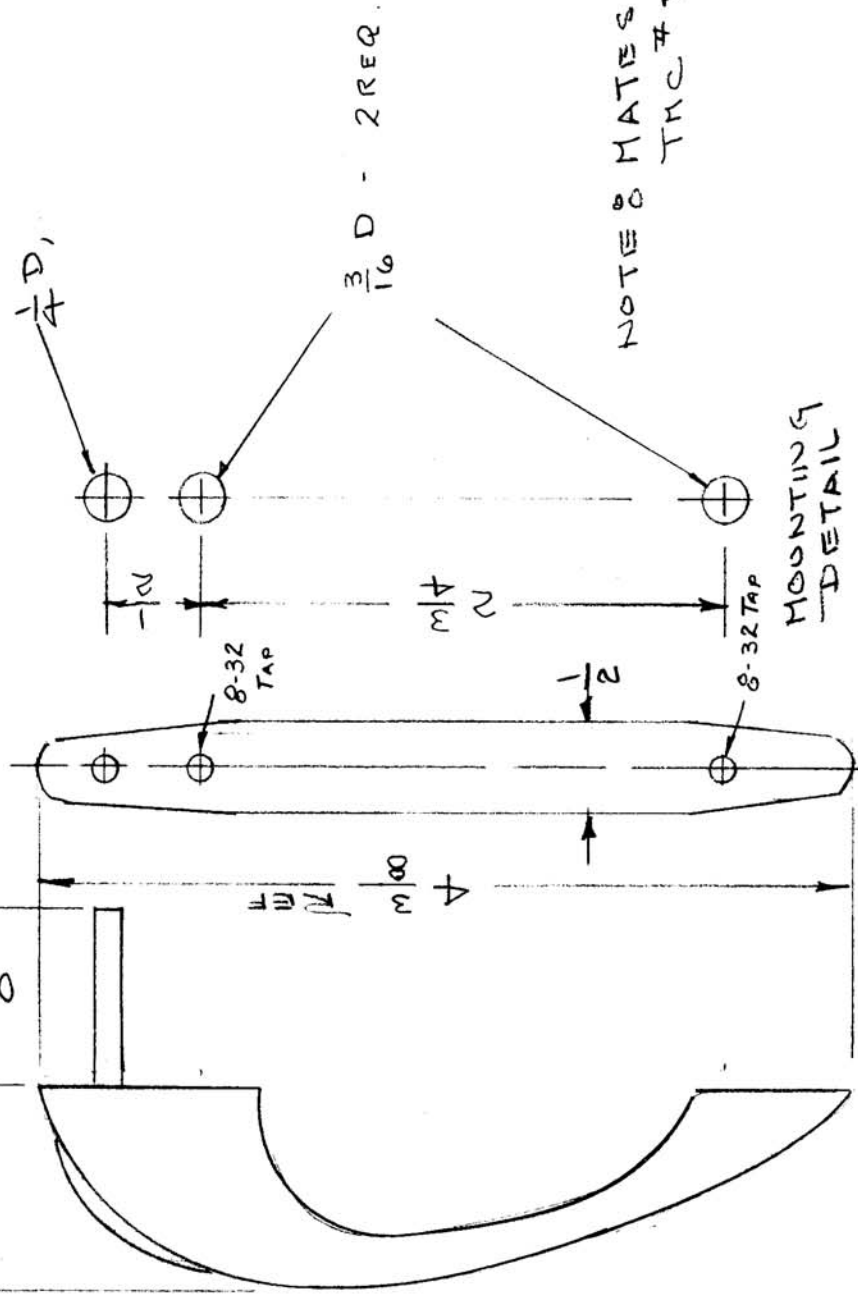


REQ. PER UNIT	USED ON	DATE	SYMBOL
2	ASSY. NO.	4-23-50	A
	MODEL		
	YTD-2		

HA-112

Note - 5/8" Dim. after depression of thumb latch.



REF 8 AMERCOCK CORP (PO 5423)

REQ. ITEM	PART NO.	DESCRIPTION	SYMBOL
		THE TECHNICAL MATERIEL CORP.	
		MAMARONECK, NEW YORK	
		HANDLE, CATCH	
		STEEL	
		MATERIAL	
		TYPE & TEMPER	
		HEAT TREAT. SPEC.	
		DRAWN	
		CHECKED	
		FINISH & SPEC. NO.	
		ELEC. DES. APPR. MECH. DES. APP	
		FINAL APPROVAL	
		HA-112	A

SCALE:

MAXIMUM ALLOWABLE TOLERANCES HAVE BEEN DETERMINED AND ANY DEVIATIONS WILL BE CAUSE FOR REJECTION. REMOVE ALL BURRS AND SHARP EDGES

DATE: 6/4/59

CHECKER: JCB

DRAFTS: JCB

ENG. APP.:

ISSUE ITEM: A 1 Note Added

CHANGED FROM:

TOLERANCES:

DEC. DIM. ±

FRAC. DIM. ±

ANGULAR DIM. ±