

5

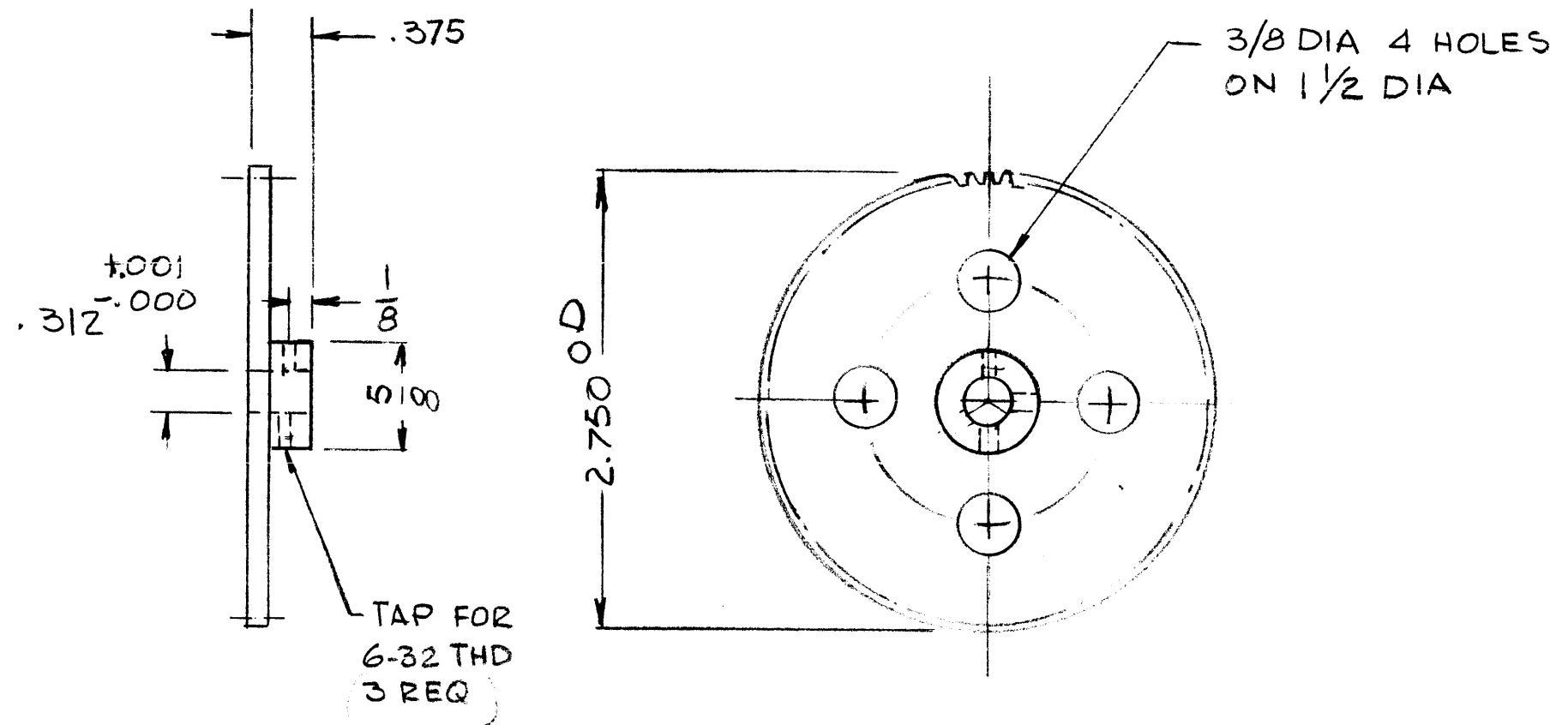
4

3

2

1

REVISIONS							
E.M.N. NO.	DRAFT	CHKD	ZONE	LTR	DESCRIPTION	DATE	APPROVED
	PH			4	RED TOOTH TOLERANCE	12-29-77	<i>OB</i>
				φ	ORIG REL	10-2-80	



— SPECIFICATIONS —
 NO. OF TEETH = 130
 DIAMETRAL PITCH = 48
 PITCH DIA. = 2.7083
 PRESSURE ANGLE = 20°
 FACE = 1/8

REQ'D	ITEM	PART NUMBER	DESCRIPTION	SYM.
LIST OF MATERIAL				
			THE TECHNICAL MATERIEL CORP. MAMARONECK, NEW YORK	
			GEAR, SPUR	
UNLESS OTHERWISE SPECIFIED DIMENSIONS ARE IN INCHES AND INCLUDE CHEMICALLY APPLIED OR PLATED FINISHES		FINAL APPROVAL <i>OB</i>	DATE 10-26-80	
DECIMALS .X ± .05 .XX ± .01 .XXX ± .005		MECH. DES.	DATE	
FRACTIONS 1/64 TOLS. ANGLES 0°-30'		ELECT. DES.	DATE	
MATERIAL STEEL, STAINLESS # 302		CHECKED	DATE	
FINISH 5104 PASSIVATE		DRAWN G.D.L.	DATE 1-30-77	
1	HFTA-10K	A5248	SIZE B	ISSUE <i>OB</i>
QTY / UNIT	MODEL USED ON	ASS'Y NO.	CODE IDENT. NO. 82679	DWG NO. GR 244
APPLICATION		CODE	SCALE	SHEET OF
NOTICE TO PERSONS RECEIVING THIS DRAWING THE TECHNICAL MATERIEL CORPORATION claims proprietary right in the material disclosed hereon. This drawing is issued in confidence for engineering information only and may not be reproduced or used to manufacture anything shown hereon without permission from THE TECHNICAL MATERIEL CORPORATION to the user. This drawing is loaned for mutual assistance and is subject to recall at any time.				

D

C

B

A

D

C

B

A

5

4

3

2

1