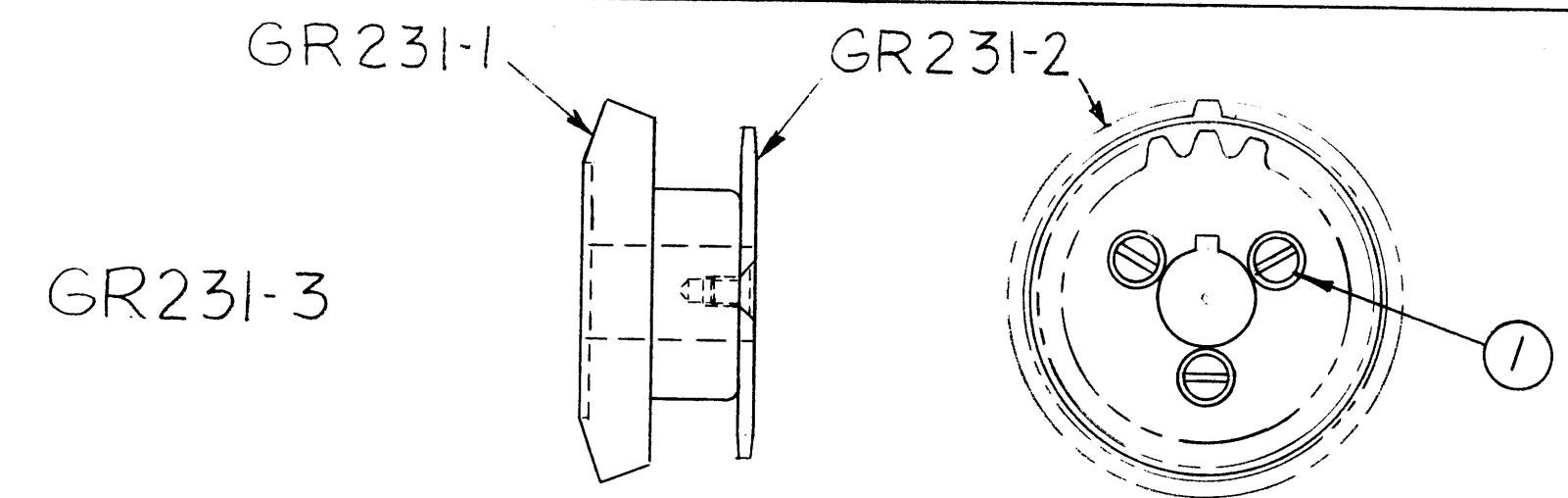


REVISIONS							
ZONE	LTR	DESCRIPTION	DATE	E.M.N.NO	DRAFT	CHKD	APPD
	X	EXP. RELEASE	5-13-68				
	B	ORIG. RELEASE FOR PROCD	5-20-68	Φ			
	A	UPDATED & REV.	9-26-68	19053			



ASSEMBLY

3	1	SCFP0632SS5	SCREW, MACHINE	
REQ'D	ITEM	PART NUMBER	DESCRIPTION	SYM.
F. BUDETTI LIST OF MATERIAL				
THE TECHNICAL MATERIEL CORP. MAMARONECK, NEW YORK				
BEVEL GEAR & SPROCKET ASS'Y				
SIZE	CODE IDENT. NO.	DWG NO.	ISSUE	
B	82679	GR 231	A	
SCALE 1:1			SHEET OF	

1	BCT-IOKA	
QTY / UNIT	MODEL USED ON	ASS'Y NO.
APPLICATION		
	CODE A	S401-451
<p>NOTICE TO PERSONS RECEIVING THIS DRAWING THE TECHNICAL MATERIEL CORPORATION claims proprietary right in the material disclosed hereon. This drawing is issued in confidence for engineering information only and may not be reproduced or used to manufacture anything shown hereon without permission from THE TECHNICAL MATERIEL CORPORATION to the user. This drawing is loaned for mutual assistance and is subject to recall at any time.</p>		

UNLESS OTHERWISE SPECIFIED DIMENSIONS ARE IN INCHES AND INCLUDE CHEMICALLY APPLIED OR PLATED FINISHES	
DECIMALS .X ± .05 .XX ± .01 .XXX ± .005	FRACTIONS 1/64 ANGLES 0°-30'
MATERIAL	FINISH
///	///

FINAL APPROVAL	DATE
MECH. DES.	DATE
ELECT. DES.	DATE
CHECKED	DATE
DRAWN	DATE