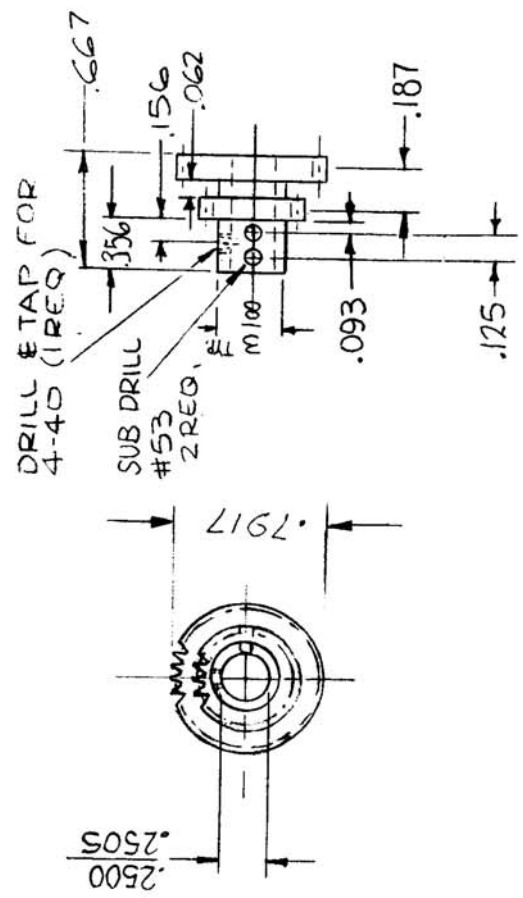


REQ. PER UNIT:
 MODEL: TLAA-2.5K
 ASSY. NO.:
 DATE: 6-10-66
 USED ON: GR 230
 SYMBOL: Ø

SPECIFICATIONS	
PITCH DIA. .5208	PITCH DIA. .7500
O. D. .5625	O. D. .7917
No. TEETH 25	No. TEETH 36
FACE .125	FACE .125
PRESSURE ANGLE 20°	PRESSURE ANGLE 20°
PITCH 48	PITCH 48



REQ. ITEM	PART NO.	BUDETTI DESCRIPTION	SYMBOL
		THE TECHNICAL MATERIEL CORP. MAMARONECK. NEW YORK	
	STAINLESS STEEL	GEAR, COMPOSITE	
# 303		G.D.L. 6-10-66	
TYPE & TEMPER	HEAT TREAT. SPEC	DRAWN	CHECKED
S104 PASSIVATE		RAJ	1/5
FINISH & SPEC. NO.		ELEC. DES. APP. MECH. DES. APP.	
		M/L	

UNLESS OTHERWISE SPECIFIED DIMENSIONS ARE IN INCHES AND INCLUDE CHEMICALLY APPLIED OR PLATED FINISHES
 DECIMALS: .X ± .05, .XX ± .01, .XXX ± .005
 FRACTIONS: ± 1/64, ANGLES: ± 0° 30'
 SCALE: 1:1
 CODE: S401-194
 C
 ORIS RELEASE FOR PROD 6-6-67
 COMPLETELY REVISED 12-7-64
 DATE: 12-7-64
 CH. NO.:
 DRAFTS CHECKER: J.P.
 ENG. APP.: J.P.
 RG