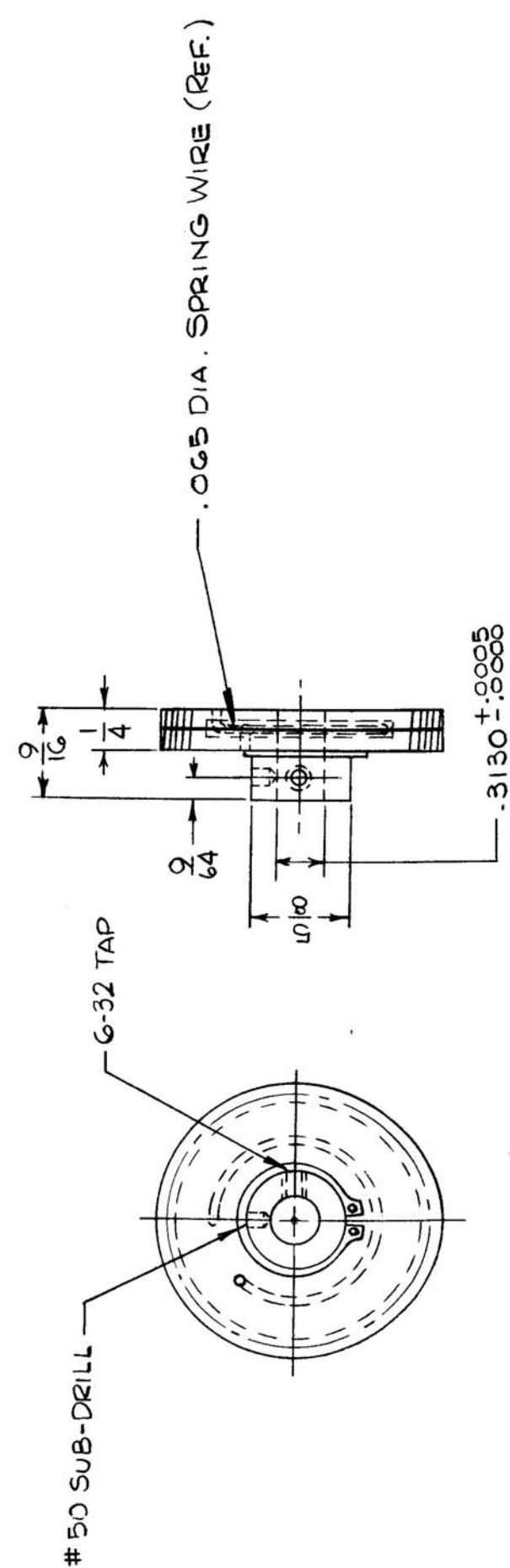


REQ. PER UNIT	USED ON	GR226
MODEL	ASSY. NO.	DATE
GPT-10KLF	A4095	11-16-65



GEAR DATA	
PITCH	24
NO. OF TEETH	40
PITCH DIAMETER	1.667
PRESSURE ANGLE	25°
FOUR TH'D - RIGHT HAND	

NOTE - TO MESH WITH GR227.

REQ. ITEM	PART NO.	DESCRIPTION	SYMBOL
		THE TECHNICAL MATERIEL CORP. MAMARONECK. NEW YORK	
		WHEEL, WORM	
		ANTI-BACKLASH	
		H. AUSTIN	
		DRAWN	
		CHECKED	
		FINAL APPROVAL	
		GR226	
		ELEC. DES. APP. MECH. DES. APP.	
		FINISH & SPEC. NO.	
		S401-15	
		SCALE	
		NOT TO SCALE	
		DATE	
		2-2-66	
		CH. NO.	
		0	
		DRAFTS	
		CH. NO.	
		0	
		CHECKER	
		ENG. APP.	
		DESCRIPTION	
		ORIGINAL RELEASE FOR PRODUCTION	
		UNLESS OTHERWISE SPECIFIED DIMENSIONS ARE IN INCHES AND INCLUDE CHEMICALLY APPLIED OR PLATED FINISHES	
		FRACTIONS	
		± 1/64	
		ANGLES,	
		± 0° 30'	
		DECIMALS	
		.X ± .05	
		.XX ± .01	
		.XXX ± .005	
		TOLERANCES	
		C	