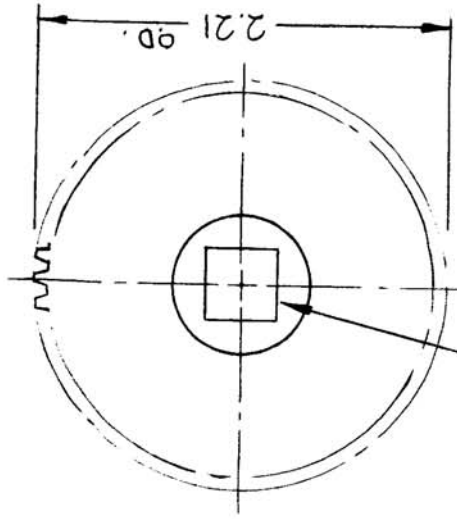
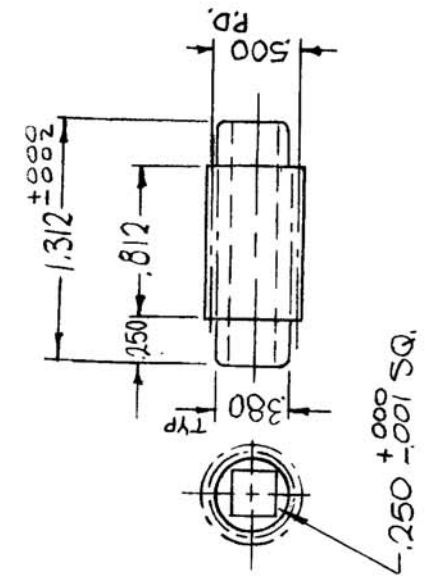


REQ. PART UNIT	USED ON	MODEL	DATE
1EA	TST-10K	6-14-65	
	GR224		



WORM, WHEEL, GR 224-1

MAT'L ~ BRONZE
 PITCH ~ 24
 THD'S ~ 4
 TEETH ~ 50



GR224

MAT'L ~ HARDENED TOOL STEEL POLISHED
 PITCH ~ 24
 THD'S ~ 4
 LEAD ~ .5236"
 LEAD \angle 18° 26'

GEAR, WORM, GR224-2

REQ. ITEM	PART NO.	F. BUDETTI	DESCRIPTION	SYMBOL
			THE TECHNICAL MATERIEL CORP. MAMARONECK. NEW YORK	
	STOCK SIZE		GEAR WORM, & WORM WHEEL (RIGHT HAND)	
	MATERIAL			
	HEAT TREAT. SPEC.			
	FINISH & SPEC. NO.			
SYM	DESCRIPTION	DATE	CH. NO.	DRAFTS
Ø	ORIGINAL RELEASE	2/15/66		
	UNLESS OTHERWISE SPECIFIED DIMENSIONS ARE IN INCHES AND INCLUDE CHEMICALLY APPLIED OR PLATED FINISHES	SCALE	1:1	CHECKER
	TOLERANCES	FRACTIONS	± 1/64	ENG. APP.
	.X ± .05	ANGLES	± 0° 30'	
	.XX ± .01			
	.XXX ± .005			
	CODE			
	A			
	DRAWN			
	CHECKED			
	FINAL APPROVAL			
				GR224