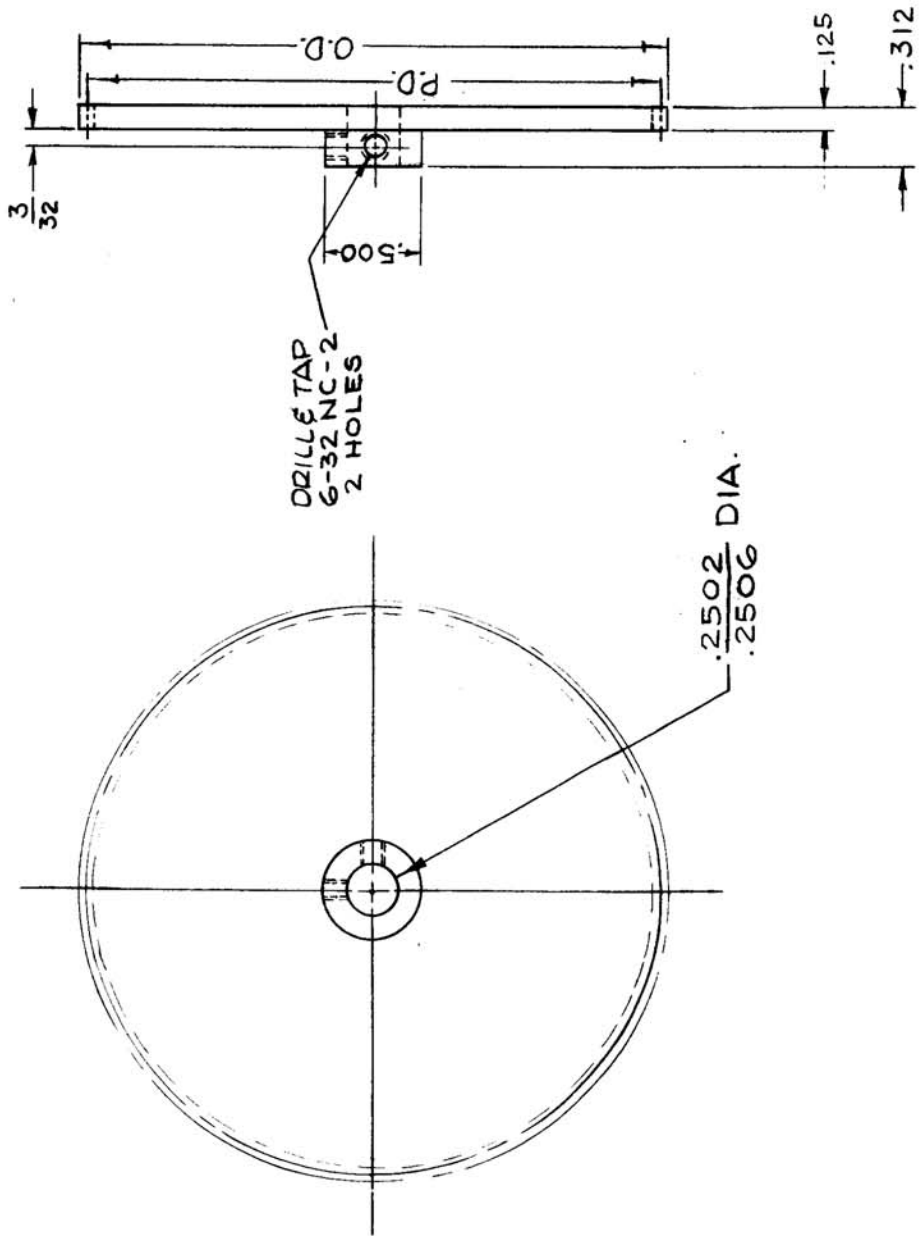


REQ. PER UNIT	USED ON	MODEL	DATE
1	ASBY. NO.	HFSR-1	5-1-64
		GR-211	



GEAR DATA

NO. OF TEETH: 14-4  
 DIA. PITCH: 48  
 PRESSURE  $\angle$ : 20°  
 PITCH DIA: 3.000  $\begin{matrix} +.000 \\ -.001 \end{matrix}$   
 OUTSIDE DIA.: 3.0417  $\begin{matrix} +.002 \\ -.002 \end{matrix}$

REQ. ITEM	PART NO.	EATON	DESCRIPTION	SYMBOL
			THE TECHNICAL MATERIEL CORP. MAMARONECK. NEW YORK	
			GEAR, SPUR	
			TAR	
			DRAWN	
			CHECKED	
			5/1/64	
			FINAL APPROVAL	
			GR-211	
			ELEC. DES. APP. MECH. DES. APP.	
			303	
			TYPE & TEMPER	
			HEAT TREAT. SPEC.	
			S104-CLEAR	
			FINISH & SPEC. NO.	
			S401-69-C	
			DATE	
			5/28/64	
			CH. NO.	
			44	
			DRAFTS	
			CHECKER	
			ENG. APP.	
			SCALE	
			1:1	
			DESCRIPTION	
			ORIGINAL RELEASE FOR PRODUCTION	
			UNLESS OTHERWISE SPECIFIED DIMENSIONS ARE IN INCHES AND INCLUDE CHEMICALLY APPLIED OR PLATED FINISHES	
			FRACTIONS $\pm 1/64$	
			DECIMALS $\pm .05$	
			ANGLES $\pm 0^{\circ} 30'$	
			TOLERANCES $\pm .003$	