

THE CONTENTS OF THIS DRAWING ARE THE EXCLUSIVE PROPERTY OF THE TECHNICAL MATERIEL CORP. ITS UNAUTHORIZED USE FOR REPRODUCTION IN WHOLE OR IN PART IS STRICTLY FORBIDDEN.

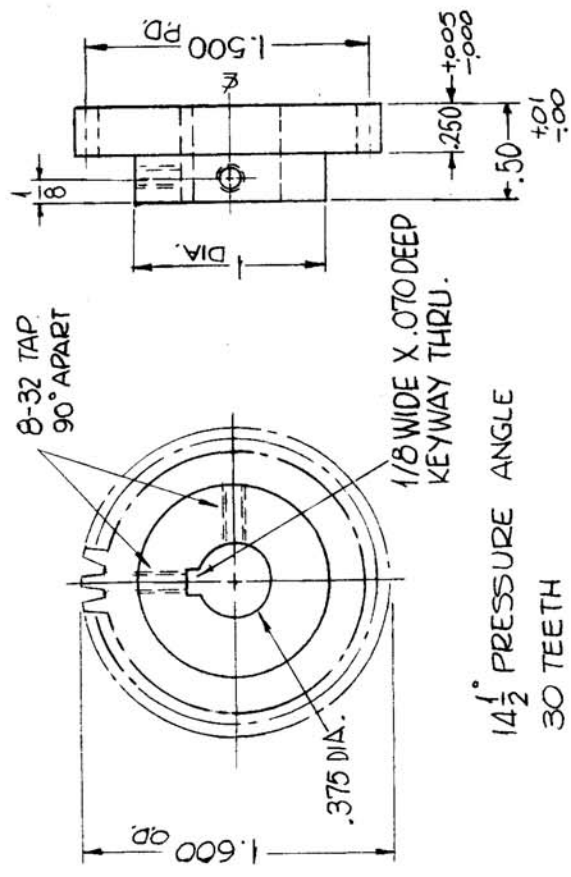
REQ. PER UNIT
3

MODEL
GPT-200K (AX-395)

USED ON ASS'Y. NO.
A-3242

DATE
8-5-63

GR-196 0



8-32 TAP
90° APART

1/8 WIDE X .070 DEEP
KEYWAY THRU.

14 1/2° PRESSURE ANGLE
30 TEETH

REQ. ITEM	PART NO.	DESCRIPTION	SYMBOL
		F. BUDETTI	
		THE TECHNICAL MATERIEL CORP. MAMARONECK. NEW YORK	
		GEAR, SPUR	
		STAINLESS STEEL	
		MATERIAL	
		303	
		TYPE & TEMPER	
		HEAT TREAT. SPEC.	
		S104-PASSIVATE	
		FINISH & SPEC. NO.	
		SRG	
		DRAWN	
		CHECKED	
		SRG	
		DATE	
		3-3-64	
		SCALE	
		1" = 1"	
		CH. NO.	
		DRAFTS	
		CHECKER	
		ENG. APP.	
		DESCRIPTION	
		UNLESS OTHERWISE SPECIFIED DIMENSIONS ARE IN INCHES AND INCLUDE CHEMICALLY APPLIED OR PLATED FINISHES	
		FRACTIONS ± 1/64 ANGLES ± 0° 30'	
		TOLERANCES	
		DECIMALS .X ± .05 .XX ± .01 .XXX ± .005	
		CODE	
		A	
		S401-15 (NA 30B (MOD))	
		SRG	
		DRAWN	
		CHECKED	
		SRG	
		DATE	
		3-30-64	
		FINAL APPROVAL	
		GR-196	