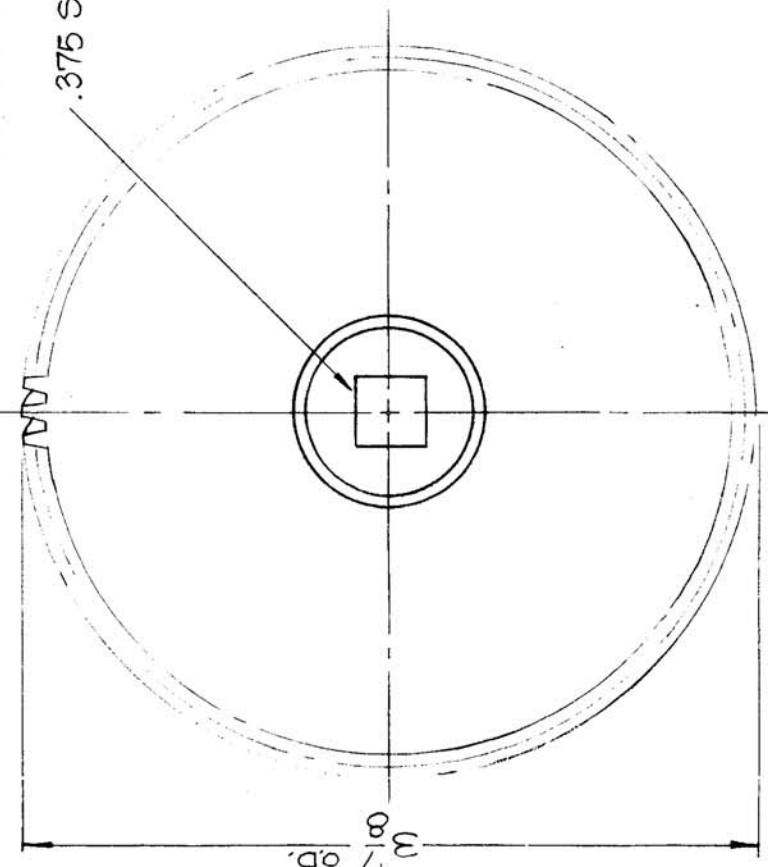


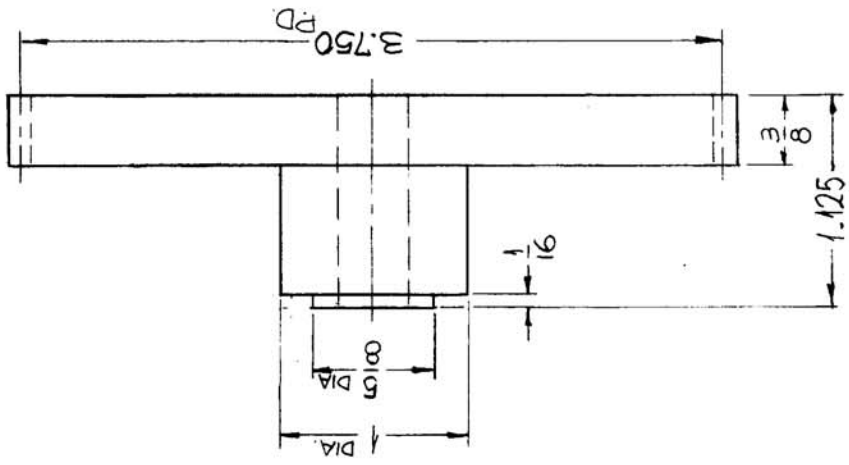
THE CONTENTS OF THIS DRAWING ARE THE EXCLUSIVE PROPERTY OF THE TECHNICAL MATERIEL CORP. ITS UNAUTHORIZED USE FOR REPRODUCTION IN WHOLE OR IN PART IS STRICTLY FORBIDDEN.

REQ. PER UNIT	MODEL	USED ON ASS'Y. NO.	DATE
1	GPT-200K (AX-395)	A-3236	8-6-63
1	GPT-200K (AX-395)	A-3239	8-6-63
1	GPT-200K (AX-395)	A-3242	8-6-63

GR-194 0



SPECIFICATIONS:
 P.D. - 3.750
 PITCH - 16
 TEETH - 60
 PRESS, $\angle 20^\circ$



REQ. ITEM		PART NO.		F. BUDETTI		DESCRIPTION		SYMBOL	
						THE TECHNICAL MATERIEL CORP. MAMARONECK, NEW YORK			
STAINLESS STEEL		303		SRG		GEAR, SPUR			
MATERIAL		303		TYPE & TEMPER		HEAT TREAT. SPEC.		DRAWN	
S104 - PASSIVATE		FINISH & SPEC. NO.		98 RB		303		ELEC. DES. APP. MECH. DES. APP.	
UNLESS OTHERWISE SPECIFIED DIMENSIONS ARE IN INCHES AND INCLUDE CHEMICALLY APPLIED OR PLATED FINISHES		DATE		CH. NO.		DRAFTS		CHECKER	
3.1.64		1"							
ORIGINAL RELEASE FOR PRODUCTION		SCALE		1" = 1"					
TOLERANCES		FRACTIONS		CODE					
.X ± .05		± 1/64		A					
.XX ± .01		ANGLES							
.XXX ± .005		± 0° 30'							
		FINAL APPROVAL		3-30-64				GR-194 0	