

SPECIFICATIONS:

WORM GEAR-
 P.D. - 3.750
 PITCH - 16
 PRESS. $\angle 14\frac{1}{2}^\circ$
 TEETH - 60
 SINGLE THREAD,
 RT. HAND

SPUR GEAR-
 P.D. - 1.250
 PITCH - 16
 TEETH - 20
 PRESS. $\angle 20^\circ$
 RT. HAND

WORM & SPUR GEAR WHEEL

GR-193-1
 MATERIAL - STAINLESS STEEL, #303
 1 REQ./UNIT REF.
 FINISH - S104 - PASSIVATE

GR-193-1

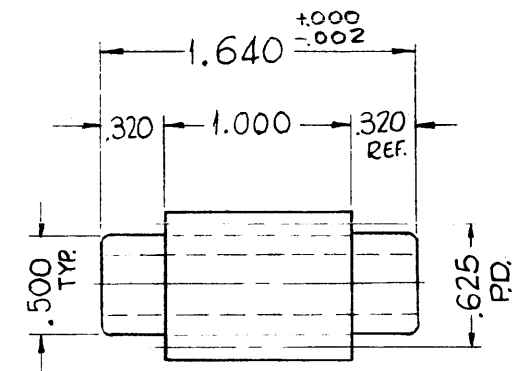
NOTES

THE CONTENTS OF THIS DRAWING ARE THE EXCLUSIVE PROPERTY OF THE TECHNICAL MATERIEL CORP. ITS UNAUTHORIZED USE OR REPRODUCTION IN WHOLE OR IN PART IS STRICTLY FORBIDDEN.

GR-193

REVISIONS

SYM	DESCRIPTION	DATE	E.M.N. NO.	DRAFT	CHKD	APPD
X1	DIM. 968 WAS 1.000	2-10-64				
O	ORIGINAL RELEASE FOR PRODUCTION	3-2-64				



SPECIFICATIONS:

P.D. - .625
 PITCH - 16
 PRESS. $\angle 14\frac{1}{2}^\circ$
 SINGLE THREAD
 RT. HAND

WORM GEAR

GR-193-2
 MATERIAL - STAINLESS STEEL, #303
 1 REQ./UNIT REF.
 FINISH - S104 - PASSIVATE

GR-193-2

REQ'D.	ITEM	PART NUMBER	DESCRIPTION	SYMBOL
F. BUDETTI LIST OF MATERIAL				
MATERIAL			THE TECHNICAL MATERIEL CORP. MAMARONECK, NEW YORK	
FINISH			TITLE GEARS, WORMS & SPUR	
UNLESS OTHERWISE SPECIFIED DIMENSIONS ARE IN INCHES AND INCLUDE CHEMICALLY APPLIED OR PLATED FINISHES				
DRAWN SRG		DATE 8-21-63	FINAL APPROVAL RDL	
CHECKED aa g/b		DATE 3-2-64	DATE 3-30-64	
DES. DES. 7B		DATE	SHEET GR-193	
MECH. DES. 156		DATE	REV. LTR. 0	