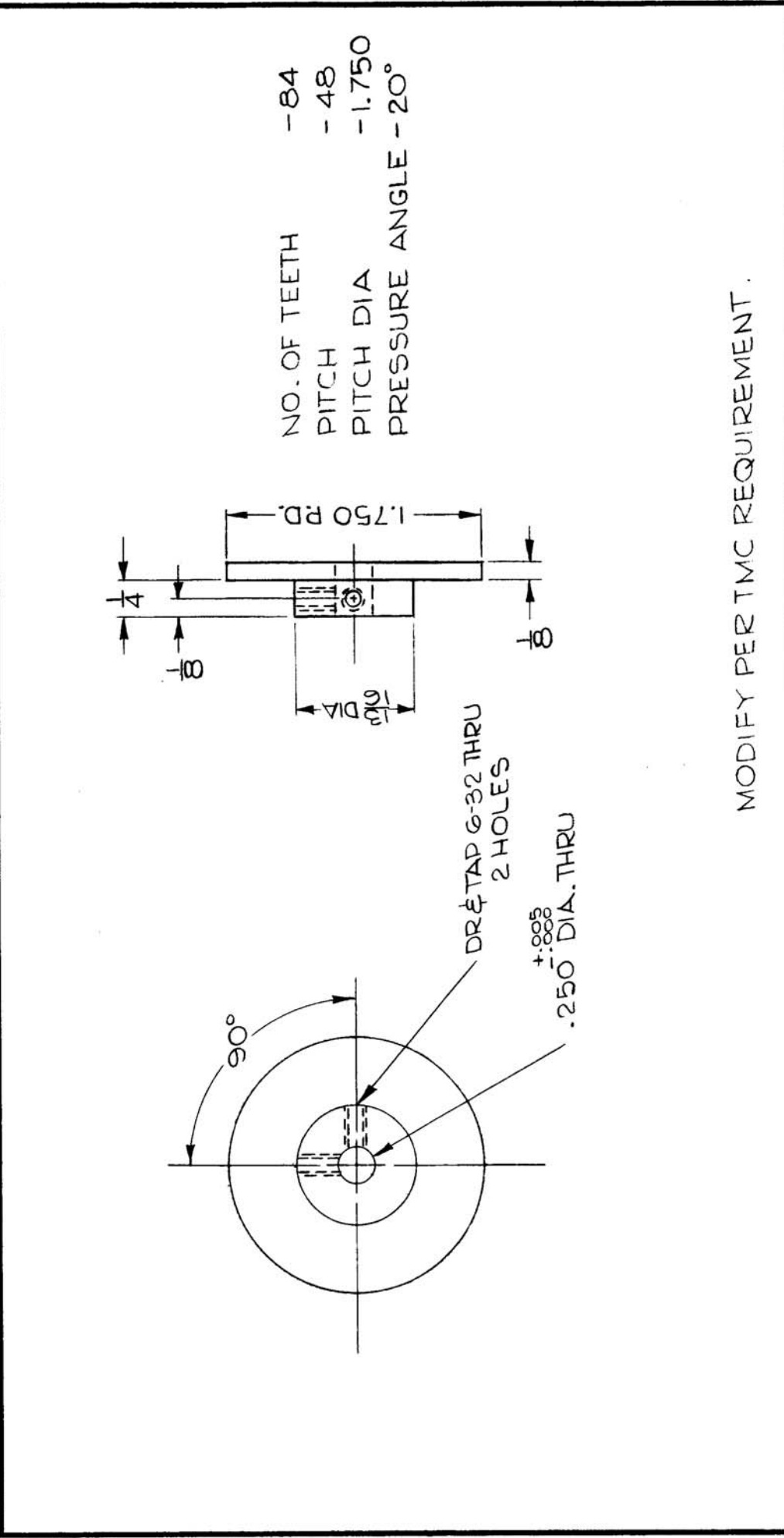


THE CONTENTS OF THIS DRAWING ARE THE EXCLUSIVE PROPERTY OF THE TECHNICAL MATERIEL CORP. ITS UNAUTHORIZED USE FOR REPRODUCTION IN WHOLE OR IN PART IS STRICTLY FORBIDDEN.		REQ. PER UNIT	1
MODEL	TTR-10	USED ON	ASSY. NO. AX-418
DATE	6-13-63	DATE	6-13-63
GR-191			



MODIFY PER TMC REQUIREMENT.

REQ. ITEM	PART NO.	JORDAN	DESCRIPTION	E3037-13	SYMBOL
STOCK SIZE		THE TECHNICAL MATERIEL CORP. MAMARONECK.			
MATERIAL		GEAR, SPUR			
1/2 HARD		DRAWN	W. JORDAN	CHECKED	FINAL APPROVAL
TYPE & TEMPER	HEAT TREAT. SPEC.	DATE	6-13-63		
FINISH & SPEC. NO.		ELEC. DES. APP.	RON KOHN	MECH. DES. APP.	GR-191
DESCRIPTION	DATE	CH. NO.	DRAFTS	CHECKER	ENG. APP.
UNLESS OTHERWISE SPECIFIED DIMENSIONS ARE IN INCHES AND INCLUDE CHEMICALLY APPLIED OR PLATED FINISHES	SCALE	1:1			
DECIMALS .X ± .05 .XX ± .01 .XXX ± .005	FRACTIONS ± 1/64 ANGLES ± 0° 30'	CODE	A	S401-15 (Y4884)	(MOD)