

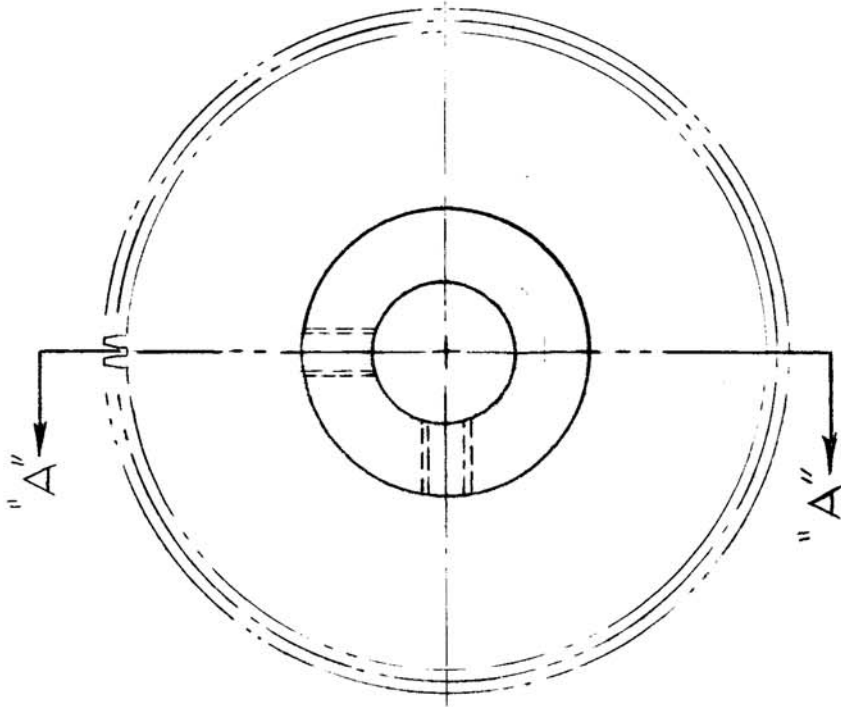
THE CONTENTS OF THIS DRAWING ARE THE EXCLUSIVE PROPERTY OF THE TECHNICAL MATERIEL CORP. ITS UNAUTHORIZED USE OR REPRODUCTION IN WHOLE OR IN PART IS STRICTLY FORBIDDEN.

REQ. PER UNIT  
2

MODEL  
GPR-92

USED ON  
DATE  
6-14-62

GR-175



~ SPECIFICATIONS ~  
 NO. OF TEETH = 84  
 DIAMETRAL PITCH = 48  
 PITCH DIA. = 1.7500  
 PRESSURE ANGLE = 20°  
 FACE = 1/8

SECTION A-A

REQ. ITEM	PART NO.	STRUMER	DESCRIPTION	SYMBOL
			THE TECHNICAL MATERIEL CORP. MAMARONECK, NEW YORK	
			GEAR, SPUR	
			ALUMINUM	
			MATERIAL	
			245 T	
			V.R.R.	
			DRAWN	
			D.M.	
			ELEC. DES. APP.	
			CHECKED	
			MP.	
			MECH. DES. APP.	
			FINISH & SPEC. NO.	
			SCALE: S401-194	
			DATE	
			CH. NO.	
			DRAFTS	
			CHECKER	
			ENG. APP.	
			UNLESS OTHERWISE SPECIFIED: DIMENSIONS ARE IN INCHES TOLERANCES ON FRAC. ± 1/64 DEC. ± .005 ANGLES ± 1/2°	
			MAXIMUM ALLOWABLE TOLERANCES HAVE BEEN DETERMINED AND ANY DEVIATIONS WILL BE CAUSE FOR REJECTION. REMOVE ALL BURRS AND SHARP EDGES	
			TYPE & TEMPER	
			HEATTREAT. SPEC.	
			CLEAR ANODIZE	
			FINAL APPROVAL	
			JMA BP	
			GR-175	