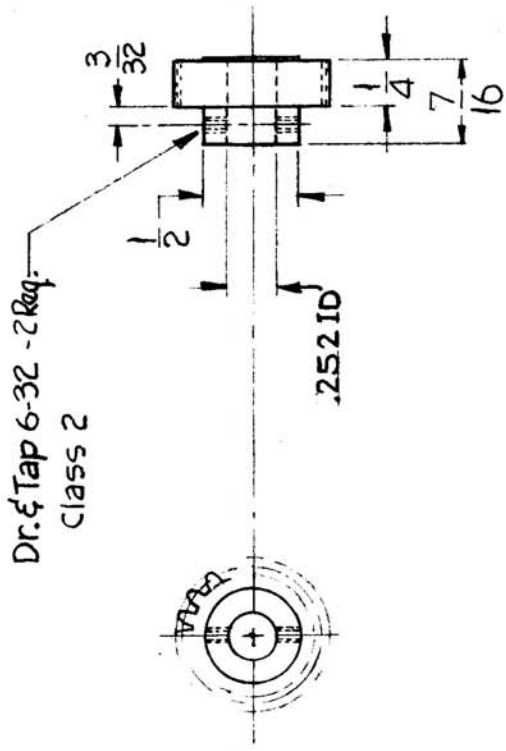


REQ. PER UNIT	1
MODEL	CHG-1
ASST. NO.	GEAR ASSY
DATE	12-9-60
GR-163	
A	

PITCH DIAMETER - .750"
 DIAMETRAL PITCH - 48
 NUMBER OF TEETH - 36
 PRESSURE ANGLE - 14 1/2°



Ref. New Jersey Gear Works

REQ. ITEM	PART NO.	DESCRIPTION	SYMBOL
		THE TECHNICAL MATERIEL CORP.	
		MAMARONECK, NEW YORK	
		GEAR, SPUR, .750" P.D.	
ISSUE ITEM	CHANGED FROM	DRAWN	CHECKED
A 1	Dim. .252 was .250 ID .251	D.P. [Signature]	[Signature]
TOLERANCES		ELEC. DES. APP. [Signature]	
DEC. DIM. ± .0015		FINAL APPR VAL	
FRAC. DIM. ± 1/64		GR-163	
ANGULAR DIM. ±		A	