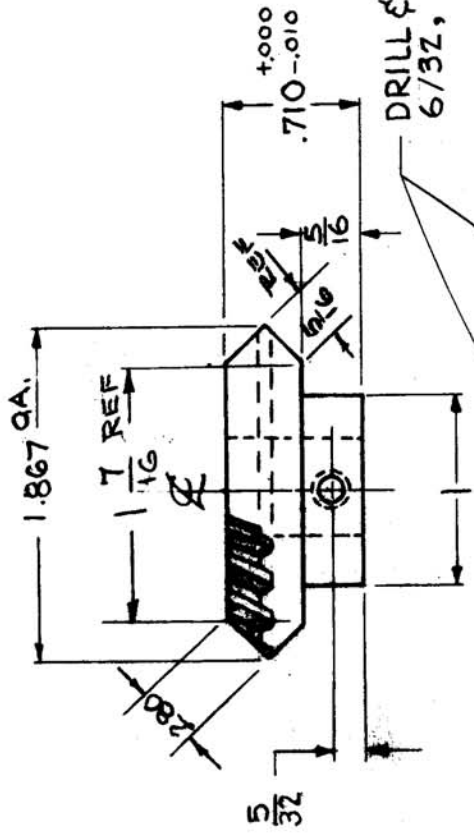
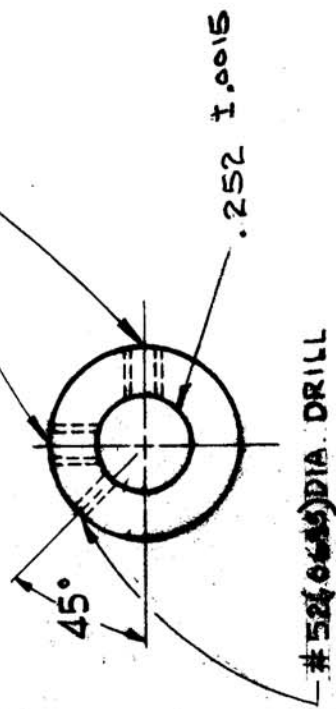


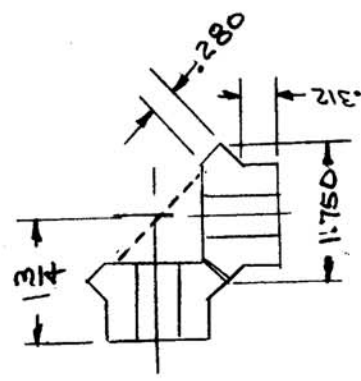
REV. NO.	DATE	BY	CHKD. BY
1	12-12-58		
MATERIAL		DATE	
S77-10000		12-12-58	
PART NO.		DATE	
GR-140			



DRILL & TAP, CL-2  
6/32, ZREQ'D.



PITCH DIA. ~ 1.750  
NO. OF TEETH ~ 21  
PRESSURE ANGLE ~ 20°  
PITCH ~ 12  
FACE ~ .280  
HOLE DIA ~ .252 ±.0015  
HUB PROJ. ~ .312



REV.	DESCRIPTION	SYMBOL																				
1	THE TECHNICAL MATERIEL CORP. MAMARONECK, NEW YORK																					
2	GEAR, BEVEL																					
<table border="1"> <tr> <td>REQ. ITEM</td> <td>PART NO.</td> <td>STOCK SIZE</td> <td>MATERIAL</td> </tr> <tr> <td></td> <td></td> <td>BRASS</td> <td></td> </tr> <tr> <td colspan="4"> <table border="1"> <tr> <td>J.C. BIELE</td> <td>FILE</td> <td>J.C. BIELE</td> <td>FINAL</td> </tr> <tr> <td></td> <td></td> <td>DRAWN</td> <td></td> </tr> </table> </td> </tr> </table>			REQ. ITEM	PART NO.	STOCK SIZE	MATERIAL			BRASS		<table border="1"> <tr> <td>J.C. BIELE</td> <td>FILE</td> <td>J.C. BIELE</td> <td>FINAL</td> </tr> <tr> <td></td> <td></td> <td>DRAWN</td> <td></td> </tr> </table>				J.C. BIELE	FILE	J.C. BIELE	FINAL			DRAWN	
REQ. ITEM	PART NO.	STOCK SIZE	MATERIAL																			
		BRASS																				
<table border="1"> <tr> <td>J.C. BIELE</td> <td>FILE</td> <td>J.C. BIELE</td> <td>FINAL</td> </tr> <tr> <td></td> <td></td> <td>DRAWN</td> <td></td> </tr> </table>				J.C. BIELE	FILE	J.C. BIELE	FINAL			DRAWN												
J.C. BIELE	FILE	J.C. BIELE	FINAL																			
		DRAWN																				
<table border="1"> <tr> <td>TYPE &amp; QUANTITY</td> <td>MATERIAL</td> <td>DATE</td> <td>CHKD. BY</td> <td>APP.</td> </tr> <tr> <td>1</td> <td>CHROME PLATE 0003</td> <td>12/16/58</td> <td>J.C.B.</td> <td></td> </tr> </table>			TYPE & QUANTITY	MATERIAL	DATE	CHKD. BY	APP.	1	CHROME PLATE 0003	12/16/58	J.C.B.											
TYPE & QUANTITY	MATERIAL	DATE	CHKD. BY	APP.																		
1	CHROME PLATE 0003	12/16/58	J.C.B.																			
<table border="1"> <tr> <td>ISSUE ITEM</td> <td>CHANGED FROM</td> <td>DATE</td> <td>CHK. NO.</td> <td>REASON FOR CHG.</td> </tr> <tr> <td></td> <td></td> <td>12/16/58</td> <td>097</td> <td></td> </tr> </table>			ISSUE ITEM	CHANGED FROM	DATE	CHK. NO.	REASON FOR CHG.			12/16/58	097											
ISSUE ITEM	CHANGED FROM	DATE	CHK. NO.	REASON FOR CHG.																		
		12/16/58	097																			
<table border="1"> <tr> <td>DEC. DIM. ±</td> <td>TOLERANCES</td> </tr> <tr> <td>FRAC. DIM. ±</td> <td></td> </tr> <tr> <td>ANGULAR DIM. ±</td> <td></td> </tr> <tr> <td></td> <td>1/4</td> </tr> </table>			DEC. DIM. ±	TOLERANCES	FRAC. DIM. ±		ANGULAR DIM. ±			1/4												
DEC. DIM. ±	TOLERANCES																					
FRAC. DIM. ±																						
ANGULAR DIM. ±																						
	1/4																					
<table border="1"> <tr> <td>DEC. DIM. ±</td> <td>1/4</td> </tr> <tr> <td>FRAC. DIM. ±</td> <td></td> </tr> <tr> <td>ANGULAR DIM. ±</td> <td></td> </tr> </table>			DEC. DIM. ±	1/4	FRAC. DIM. ±		ANGULAR DIM. ±															
DEC. DIM. ±	1/4																					
FRAC. DIM. ±																						
ANGULAR DIM. ±																						