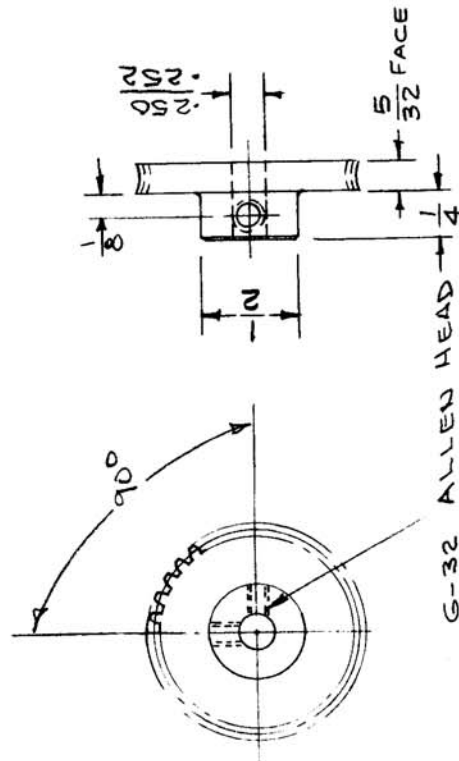


REF. UNIT	MODEL	ASN
1	ATS-50TU	12-18-57
1	ATS-70TU	12-18-57



Pitch Diam. — 1.042"
 Pitch — 48
 No. of Teeth — 50
 Pressure Angle — 14 1/2°
 Threads — Right Hand Single Type

MATES WITH WORM - GR-137

REF - BOSTON GEAR # G1021

REQ. ITEM	PART NO.	DESCRIPTION	SYMBOL
	N	THE TECHNICAL MATERIEL CORP. MAMARONECK. NEW YORK	
		STOCK SIZE	
		MATERIAL	
	N	BRONZE	
		TYPE & TEMPER	
		HEAT TREAT. SPEC.	
		FINISH & SPEC. NO.	
		DRAWN	
		CHECKED	
		ELEC. DES. APP.	
		MECH. DES. APP.	
		FINAL APPROVAL	

DATE: 2/24/58
 CHECKER: JBR
 DRAFTS: JBR
 ENG. APP.: JBR
 SCALE: FULL
 TOLERANCES: MAXIMUM ALLOWABLE TOLERANCES HAVE BEEN DETERMINED AND ANY DEVIATIONS WILL BE CAUSE FOR REJECTION. REMOVE ALL BURRS AND SHARP EDGES
 DEC. DIM. ±
 FRAC. DIM. ± 1/64
 ANGULAR DIM. ±

12/18/57
 JBR
 JBR
 A JT
 GR-136 A