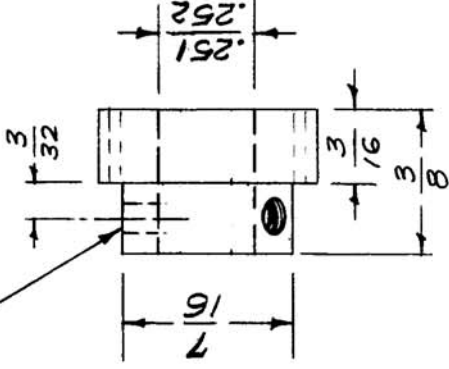


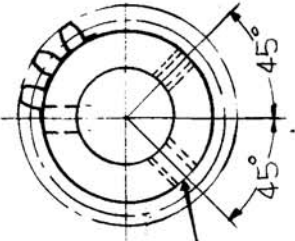
GR-134 A

USED ON	
MODEL	DATE
SBE-1	7-23-67
SBE-2	5-5-58
SBE-3	11-30-59
CHG-1,2	5-10-60
GPT-40K	5-2-62
AP-100	
AX-275	

.065 D



Pitch Dia. — 1 1/2"  
 Pitch — 48  
 No. of Teeth — 22  
 Pressure Angle — 14 1/2°  
 Comm. Class 3 Tol.



DRILL & TAP FOR 4-40  
 2 REQ.

REF: NEW JERSEY GEAR WORKS

REQ. ITEM	PART NO.	DESCRIPTION	SYMBOL
1		THE TECHNICAL MATERIEL CORP. MAMARONECK, NEW YORK	
1		GEAR, SPUR, 1 1/2" P.D.	
STOCK SIZE			
Stainless Steel			
MATERIAL			
1	16	16	MB
TYPE & TEMPER		DRAWN	
HEAT TREAT. SPEC.		CHECKED	
FINISH & SPEC. NO.		ELEC. DES. APP.	
FINISH & SPEC. NO.		MECH. DES. APP.	
FINISH & SPEC. NO.		FINAL APPROVAL	
FINISH & SPEC. NO.			GR-134 A

ISSUE ITEM	CHANGED FROM	DATE	CH. NO.	DRAFTS	CHECKER	ENG. APP.
A 1	Dr. & Tap For 4-40 Added	5-2-62	6616	ES	MB	DB
TOLERANCES						
MAXIMUM ALLOWABLE TOLERANCES HAVE BEEN DETERMINED AND ANY DEVIATIONS WILL BE CAUSE FOR REJECTION. REMOVE ALL BURRS AND SHARP EDGES						
SCALE: 2 X						
2-706						

DEC. DIM. ±  
 FRAC. DIM. ± 1/64  
 ANGULAR DIM. ±