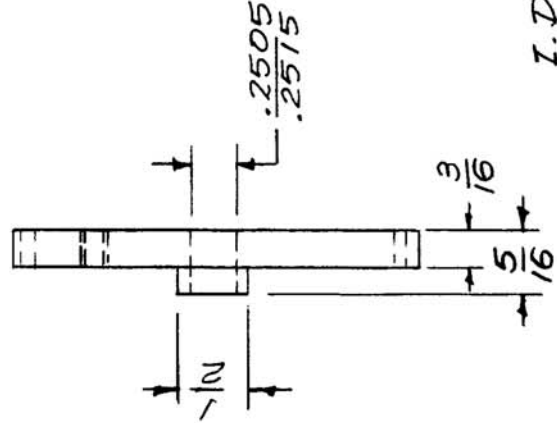
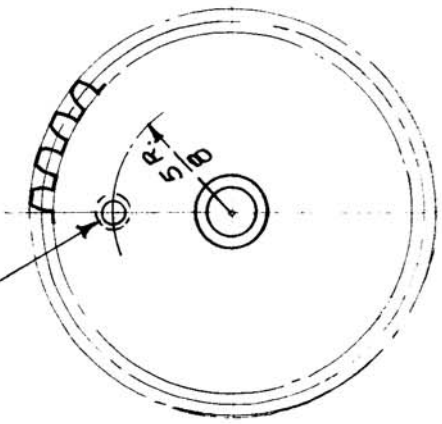


REQ. PER UNIT		USED ON	
1	SBE-1	ASBY. NO.	DATE
1	SBE-2		7-23-57
1	SBE-3	AP-100	5-5-58
			11-30-59

GR-131

Dr. & Tap 6-32 Class 2

Pitch Dia. — 2.000 "
 Pitch — 48
 No. of Teeth — 96
 Pressure Angle — 14 1/2°



I.D. and P.D. must be concentric within .0015 F.I.R.

REF: NEW JERSEY GEAR WORKS

REQ. ITEM	PART NO.	DESCRIPTION	SYMBOL
		THE TECHNICAL MATERIEL CORP. MAMARONECK. NEW YORK	
		ALUMINUM	
		GEAR, SPUR, 2" P.P.	
24S-T3		1672357	
TYPE & TEMPER	HEAT TREAT. SPEC.	DRAWN	CHECKED
Yellow Anodize		BB	BB
FINISH & SPEC. NO.		ELEC. DES. APP.	MECH. DES. APP.
			GR-131

TOLERANCES

DEC. DIM. ±
 FRAC. DIM. ±
 ANGULAR DIM. ±