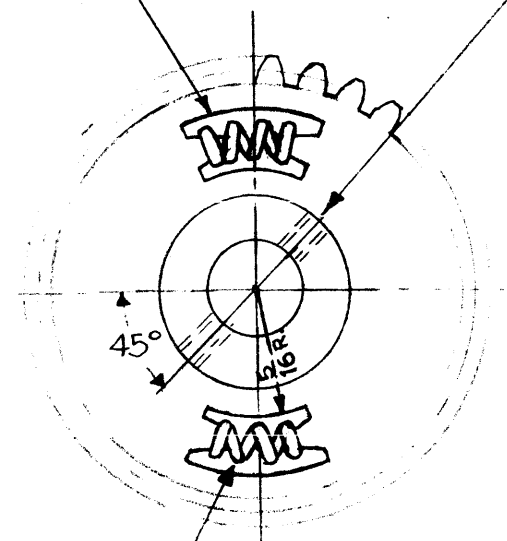
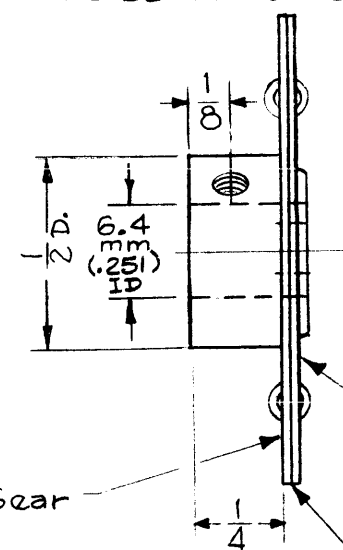


Cutout Detail (2 Req.)
Dim. for Ref. Only

Dr. & Tap 6-32 Class 2
2 Req.
Note relation of tapped holes to cutout.



Spring suitable to prevent backlash.
(2 Req.) Spring must not bind.



Fixed Gear

Free Gear

Approx. .003 Spacing between Gears.

Pitch Dia. ————— 1.1458"
Pitch ————— 48
No. of teeth ————— 55
Pressure Angle ————— 14 1/2°
Comm. Class 3 Tol.
Type ————— Anti-backlash

Note: Lubricate lightly between gears.

THIS DRAWING IS THE PROPERTY OF THE TECHNICAL MATERIEL CORPORATION. IT IS TO BE KEPT IN CONFIDENCE AND NOT TO BE REPRODUCED OR USED IN ANY MANNER WITHOUT THE WRITTEN PERMISSION OF THE TECHNICAL MATERIEL CORPORATION. THIS DRAWING IS LOANED FOR MUTUAL ASSISTANCE AND IS SUBJECT TO RECALL AT ANY TIME.

THE TECHNICAL MATERIEL CORPORATION
MAMARONECK, NEW YORK

Ref. N.J. Gear Works

| REQ. | ITEM | PART NO. | DESCRIPTION | SYMBOL |
|---------------|-------|--------------------|-------------|--------------------------|
| 1 | SBE-3 | AX-205 | 12-8-59 | |
| 1 | SBE-2 | | 7-29-57 | |
| 1 | SBE-1 | | 7-29-57 | |
| 1 | VOX-2 | | 6-8-56 | |
| 1 | VOX-1 | | 6-8-56 | |
| 1 | PMO-2 | | 6-8-56 | |
| 1 | PMO-1 | | 6-8-56 | |
| 1 | RTF-2 | FRONT PANEL | 11-10-58 | |
| 1 | RTF | | 4-6-56 | |
| 1 | | | 12-8-59 | |
| REQ. PER UNIT | | MODEL | PROJECT NO. | ASS'Y. NO. |
| | | | | DATE |
| | | USED ON | | |
| | | ALUMINUM | | GEAR, SPLIT, 1.1458 P.D. |
| | | 245 T3 | | RE-DRAWN |
| | | Yellow Anodize | | CHECKED |
| | | FINISH & SPEC. NO. | | FINAL APPROVAL |
| | | ELEC. DES. APP. | | MECH. DES. APP. |

| | | | | | | | |
|----------------|------|---|---------|---------|--------|---------|-----------|
| ISSUE | ITEM | CHANGED FROM | DATE | CH. NO. | DRAFTS | CHECKER | ENG. APP. |
| A | 1 | Redrawn to include Mfg. info of GR-126 & PM-412 | 12/8/59 | 1639 | 16 | JM | JM |
| TOLERANCES | | SCALE: | | | | | |
| DEC. DIM. ± | | MAXIMUM ALLOWABLE TOLERANCES HAVE BEEN DETERMINED AND ANY DEVIATIONS WILL BE CAUSE FOR REJECTION. | | | | | |
| FRAC. DIM. ± | | REMOVE ALL BURRS AND SHARP EDGES | | | | | |
| ANGULAR DIM. ± | | | | | | | |

GR-127 A