

IF IT IS FOUND DESIRABLE TO CHANGE ANY TOLERANCE OR OTHER DETAIL SPECIFIED ON THIS DRAWING NOTIFY THE PURCHASER PROMPTLY.

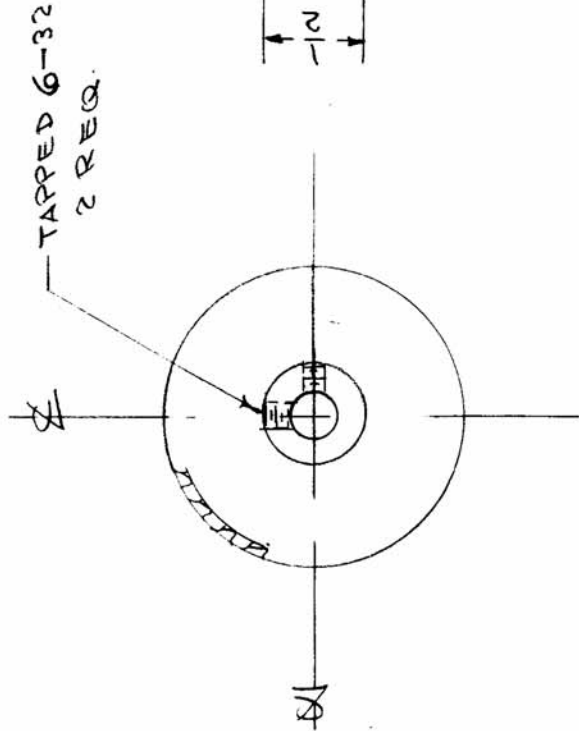
MAXIMUM ALLOWABLE TOLERANCES HAVE BEEN DETERMINED AND DEVIATIONS WILL BE CAUSE FOR REJECTION. REMOVE ALL BURRS AND SHARP EDGES

GR-124 A

USED ON  
PROJECT NO.  
MODEL  
ASSY. NO.  
DATE  
7-28-55

REQ. PER UNIT  
1

RTF



TEETH — 24  
PITCH DIA. — 1.500  
DIAMETRAL PITCH — 16  
NORMAL PITCH — 22.63  
NORMAL PA — 1 1/2°  
FACE — 1/2"  
LEFT HAND GEAR — 45°  
HELI X ANGLE — 45°  
COMMERCIAL TOU. CLASS 3

NOTE: SUPPLIED BY MFR.  
6-32 x 1/8 LONG  
HEXAGONAL SOCKET SET SCREWS  
2 REQ.

NOTE:  
MESHES WITH GR-128

REF: NEW JERSEY GEAR WORKS

REQ. ITEM	PART NO.	DESCRIPTION	SYMBOL
		THE TECHNICAL MATERIEL CORP. MAMARONECK. NEW YORK	
		STEEL	
		MATERIAL	
		HARDENED	
		TYPE & TEMPER	
		HEAT TREAT. SPEC.	
		FINISH & SPEC. NO.	
		POW/AMP	
		CDD.	
		DRAWN	
		ELEC. DES. APP.	
		MECH. DES. APP.	
		CHECKED	
		FINAL APPROVAL	
		GR-124	A

ISSUE ITEM	CHANGED FROM	DATE	CN. NO.	DRAFTS-CHECKER	ENG. APP.
A 2	WAS 2 REQ	7/25/56	1	JAK	ORR
TOLERANCES					
SCALE					
DRILL, PUNCH, COMMERCIAL STOCK SIZES AND MANUFACTURERS TOLERANCES ARE NOT INCLUDED.					
ALL DEC. DIM. ±					
OTHERS FRAC. DIM. ±					
ANGULAR DIM. ±					