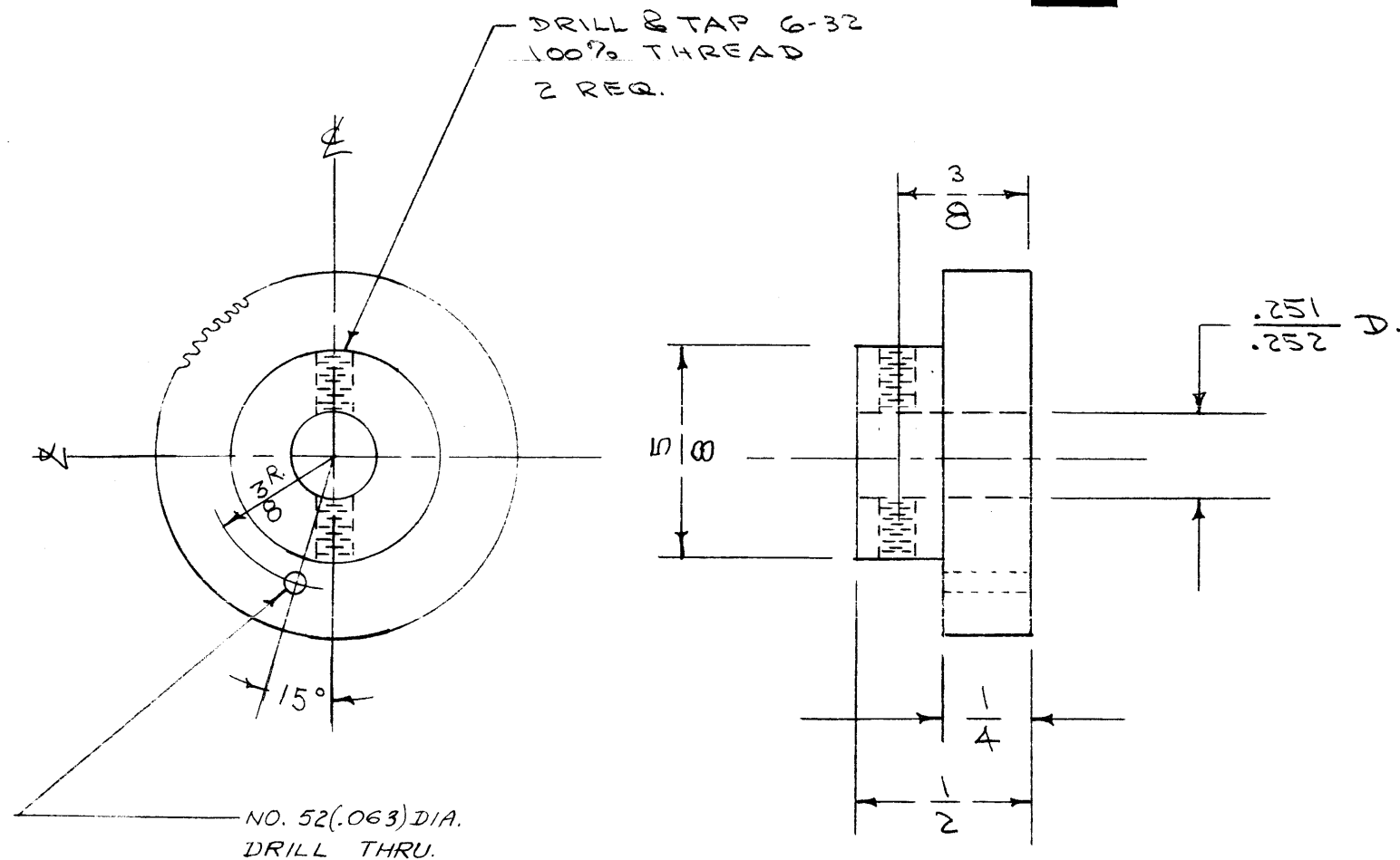


IF IT IS FOUND DESIRABLE TO CHANGE ANY TOLERANCE OR OTHER DETAIL SPECIFIED ON THIS DRAWING NOTIFY THE PURCHASER PROMPTLY.

MAXIMUM ALLOWABLE TOLERANCES HAVE BEEN DETERMINED AND DEVIATIONS WILL BE CAUSE FOR REJECTION. REMOVE ALL BURRS AND SHARP EDGES

GR-123 A



PITCH \_\_\_\_\_ 48  
 PRESSURE ANGLE \_\_\_\_\_ 1 1/2°  
 TEETH \_\_\_\_\_ 48  
 PITCH DIA. \_\_\_\_\_ 1"  
 TOLERANCE — COMMERCIAL CLASS 3

ISSUE	ITEM	CHANGED FROM	DATE	CN. NO.	DRAFTS	CHECKER	ENG. APP.
A	1	#52 HOLE ROTATED 75°	9-1-55	1	16	WPC	WPC

TOLERANCES: DEC. DIM. ±, FRAC. DIM. ±, ANGULAR DIM. ±

SCALE: DRILL, PUNCH, COMMERCIAL STOCK SIZES AND MANUFACTURERS TOLERANCES ARE NOT INCLUDED.

REQ. PER UNIT	MODEL	PROJECT NO.	ASS'Y. NO.	DATE
2	GPR			6-30-55

USED ON

REQ.	ITEM	PART NO.	DESCRIPTION	SYMBOL
			THE TECHNICAL MATERIEL CORP. MAMARONECK, NEW YORK	
			GEAR, DIAL DRIVE	
			GPR	
			ALUMINUM	
			24S T3	
			6-30-55	
			TYPE & TEMPER	
			DRAWN	
			ELEC. DES. APP.	
			MECH. DES. APP.	
			HEAT TREAT. SPEC.	
			CHECKED	
			FINAL APPROVAL	
			YELLOW ANODIZE	
			FINISH & SPEC. NO.	