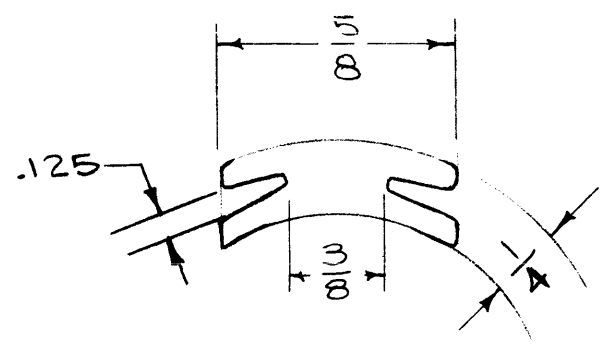


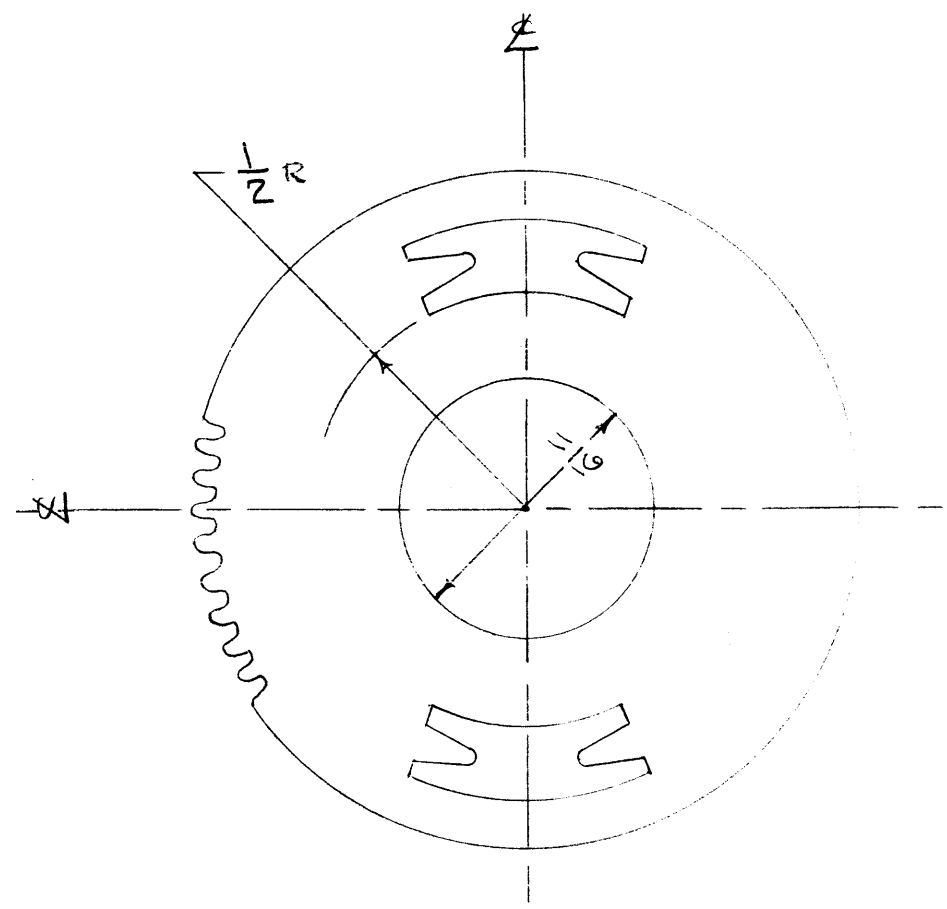
IT IS FOUND DESIRABLE TO CHANGE ANY TOLERANCE OR OTHER DETAIL SPECIFIED ON THIS DRAWING NOTIFY THE PURCHASER PROMPTLY.

MAXIMUM ALLOWABLE TOLERANCES HAVE BEEN DETERMINED AND DEVIATIONS WILL BE CAUSE FOR REJECTION. REMOVE ALL BURRS AND SHARP EDGES

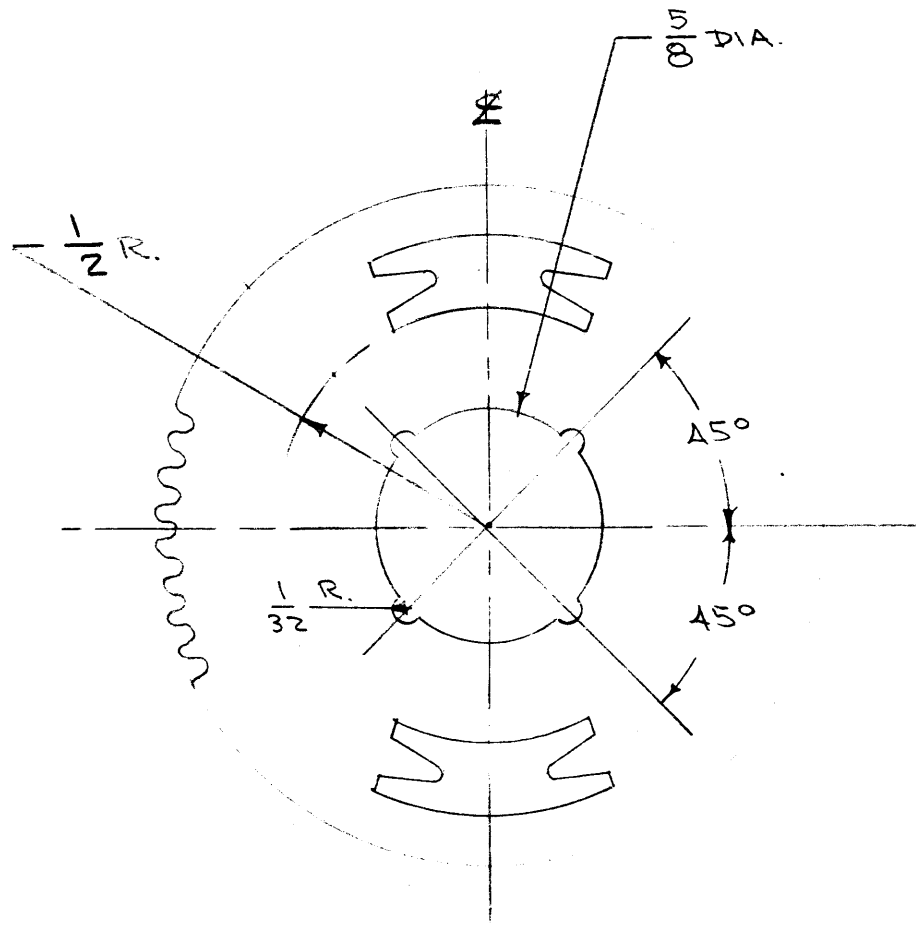
GR-120 B



CUTOUT DETAIL
DIM. FOR REF. ONLY.



GR-120-1
FREE GEAR



GR-120-2
FIXED GEAR

PITCH - 48
PRESSURE ANGLE - 14 1/2°
TEETH - 84
PITCH DIA. - 13/4"
ANTI BACKLASH TYPE
(COMMERCIAL CLASS 3 TOL.)

REF: NEW JERSEY GEAR. MFG. WKS.

B	1	1/2 R. WAS Ø1/16 R. CUTOUT DETAIL REV.	12/1/57	2	16	JAD	W
A	1	CLASS 3 TOL. ADDED	5/16/55	1	PB	W	W
ISSUE	ITEM	CHANGED FROM	DATE	CN. NO.	DRAFTS	CHECKER	ENG. APP.
TOLERANCES		SCALE: #					
ALL OTHERS	DEC. DIM. ± FRAC. DIM. ± 1/6 A ANGULAR DIM. ±	DRILL, PUNCH, COMMERCIAL STOCK SIZES AND MANUFACTURERS TOLERANCES ARE NOT INCLUDED.					

REQ. PER UNIT	MODEL	PROJECT NO.	ASSY. NO.	DATE
USED ON				

REQ.	ITEM	PART NO.	DESCRIPTION	SYMBOL
		Ø.032	THE TECHNICAL MATERIEL CORP. MAMARONECK. NEW YORK	
		STOCK SIZE		
		ALUMINUM #	GEARS, FREE & FIXED	
		MATERIAL		
		2 A S T 3		
		TYPE & TEMPER	C.D.D. 4-25-55	W
			DRAWN	ELEC. DES. APP. MECH. DES. APP.
			JAD	G.T.O
		HEAT TREAT. SPEC.	CHECKED	FINAL APPROVAL
		YELLOW ANODIZE		
		FINISH & SPEC. NO.		
			GR-120	B