

IF IT IS FOUND DESIRABLE TO CHANGE ANY TOLERANCE OR OTHER DETAIL SPECIFIED ON THIS DRAWING NOTIFY THE PURCHASER PROMPTLY.

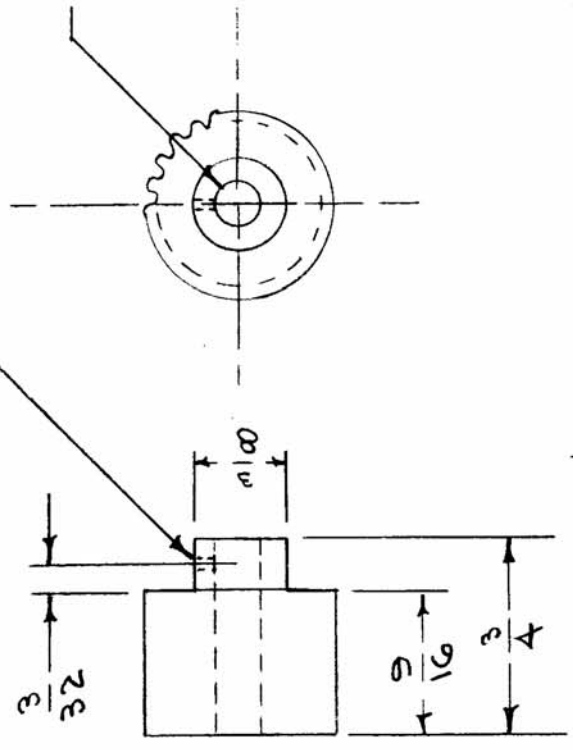
MAXIMUM ALLOWABLE TOLERANCES HAVE BEEN DETERMINED AND DEVIATIONS WILL BE CAUSE FOR REJECTION. REMOVE ALL BURRS AND SHARP EDGES

GR-118 A

USED ON

REQ. PER UNIT	MODEL	PROJECT NO.	ASSY. NO.	DATE
1	10X-2			A-1A-SK
1	PMO-2			A-1A-S5
1	RTF			6/8/56
1	TRIF-2	F/P		11-10-58

NO. 52 (.063) DIA.



6.4 (.2519) M.M.

22 TEETH
 AB PITCH
 1A 1/2 PRESSURE ANGLE
 1/12" P.D.
 (COMMERCIAL CLASS 3 TOL.)

ISSUE ITEM	CHANGED FROM	DATE	CN. NO.	DRAFTS CHECKER	ENG. APP.
A	1 CLASS 3 TOL ADDED	5/16/58	1	AB	WDC

DEC. DIM. ±
 FRAC. DIM. ± 1/64
 ANGULAR DIM. ±

DRILL, PUNCH, COMMERCIAL STOCK SIZES AND MANUFACTURERS TOLERANCES ARE NOT INCLUDED.

REQ. ITEM	PART NO.	DESCRIPTION	SYMBOL
		THE TECHNICAL MATERIEL CORP. MAMARONECK, NEW YORK	
		ALUMINUM	
		MATERIAL	
		WEIGHT PER PC.	
	2024-T4		
		TYPE & TEMPER	
		HEAT TREAT. SPEC.	
		YELLOW IRIDITE	
		FINISH & SPEC. NO.	
		DRAWN	
		ELEC. DES. APP.	
		MECH. DES. APP.	
		CDD A-1A-S5	WDC
		CHECKED	WDC
		FINAL APPROVAL	
		GR-118	A