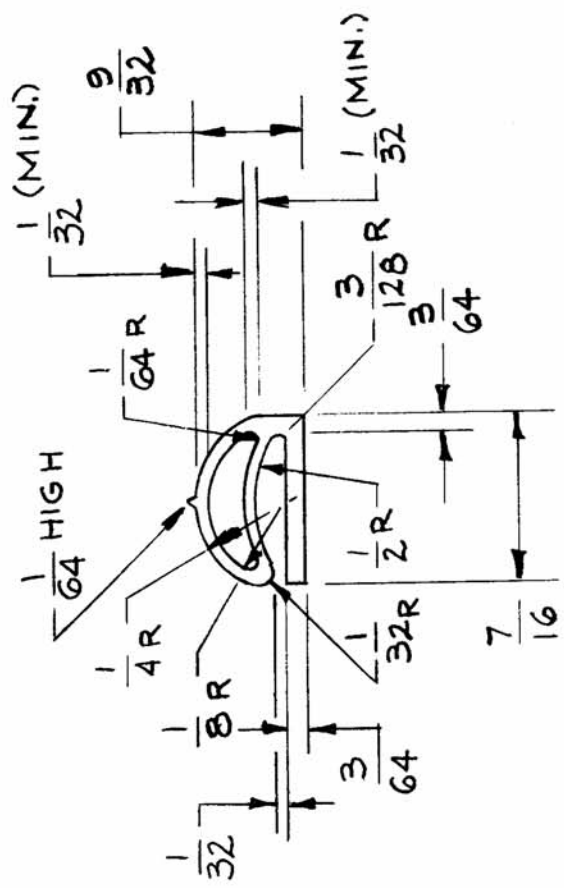


REQ. PER. UNIT	USED ON
1	ASSY. NO.
1	DATE
1	10-14-59
MODEL	
RAK 9	
GA-144	



ACTUAL SIZE

GA-144-24
TMC DWG NO LENGTH (INCHES)

REQ. ITEM	PART NO.	DESCRIPTION	SYMBOL
		THE TECHNICAL MATERIEL CORP.	
		MAMARONECK, NEW YORK	
		GASKET, EXTRUDED	
ISSUE ITEM	CHANGED FROM		
TOLERANCES			
DEC. DIM. ±			
FRAC. DIM. ±			
ANGULAR DIM. ±			
DATE	CH. NO.	DRAFTS	CHECKER
SCALE:			
MAXIMUM ALLOWABLE TOLERANCES HAVE BEEN DETERMINED AND ANY DEVIATIONS WILL BE CAUSE FOR REJECTION. REMOVE ALL BURRS AND SHARP EDGES			
TYPE & TEMPER	HEAT TREAT. SPEC.	DRAWN	CHECKED
DURO 70			
MATERIAL		FINAL APPROVAL	
RUBBER		GA-144	
FINISH & SPEC. NO.		ELEC. DES. APP. MECH. DES. APP.	