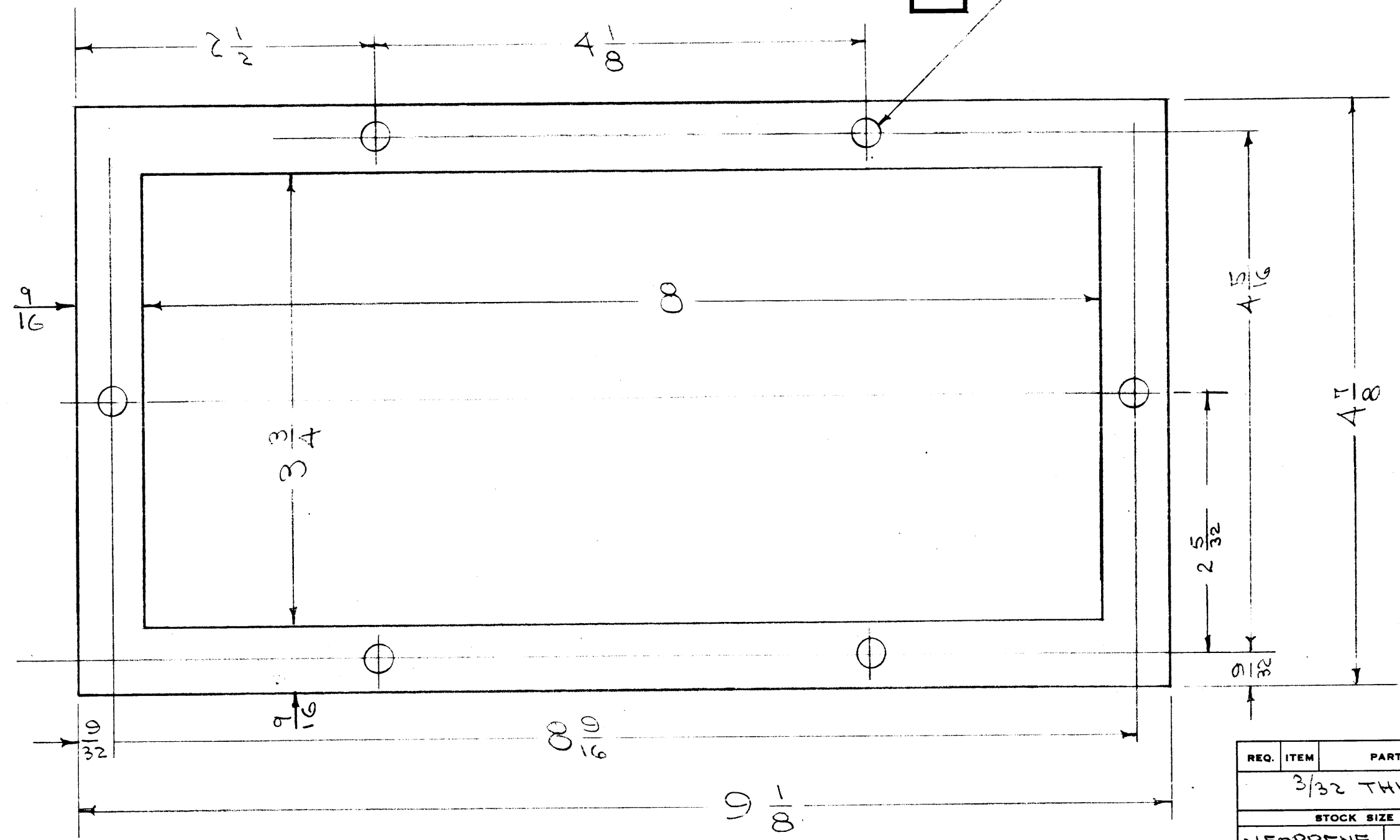


IF IT IS FOUND DESIRABLE TO CHANGE ANY TOLERANCE OR OTHER DETAIL SPECIFIED ON THIS DRAWING NOTIFY THE PURCHASER PROMPTLY.

MAXIMUM ALLOWABLE TOLERANCES HAVE BEEN DETERMINED AND DEVIATIONS WILL BE CAUSE FOR REJECTION. REMOVE ALL BURRS AND SHARP EDGES

GA-128

$\frac{1}{4}$ (.250) D. 6 HOLES REQ.



REQ.	ITEM	PART NO.	DESCRIPTION	SYMBOL
		3/32 THK.	THE TECHNICAL MATERIEL CORP.	
		STOCK SIZE	MAMARONECK. NEW YORK	
	NEOPRENE	#	GASKET, REAR DOOR	
	MATERIAL	WEIGHT PER PC.	C. P. M. O.	
			CS2 9/21/54	
		TYPE & TEMPER		
		HEAT TREAT. SPEC.		
		FINISH & SPEC. NO.		

ISSUE	ITEM	CHANGED FROM	DATE	CN. NO.	DRAFTS	CHECKER	ENG. APP.

UNIT	MODEL	PROJECT NO.	ASS'Y. NO.	DATE
1	CPMO			9-21-54

SCALE:
DRILL, PUNCH, COMMERCIAL STOCK SIZES AND MANUFACTURERS TOLERANCES ARE NOT INCLUDED.

TOLERANCES:
DEC. DIM. ±
FRAC. DIM. ± 1/64
ANGULAR DIM. ±

GA-128