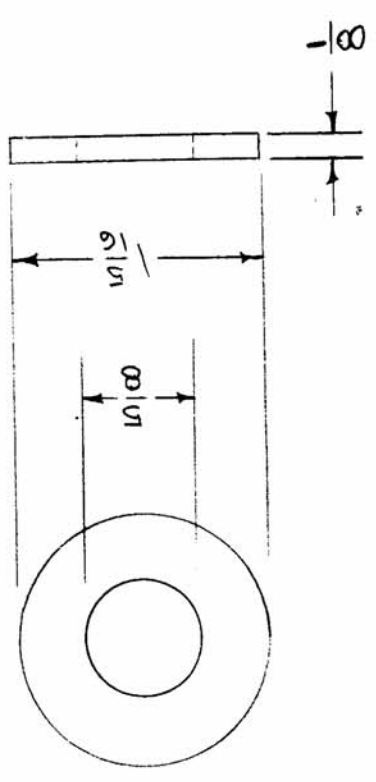


IF IT IS FOUND DESIRABLE TO CHANGE ANY TOLERANCE OR OTHER DETAIL SPECIFIED ON THIS DRAWING NOTIFY THE PURCHASER PROMPTLY.

MAXIMUM ALLOWABLE TOLERANCES HAVE BEEN DETERMINED AND DEVIATIONS WILL BE CAUSE FOR REJECTION. REMOVE ALL BURRS AND SHARP EDGES



GA-125

USED ON
 PROJECT NO. 311
 MODEL CTAC
 ASS'Y. NO. A-799
 DATE 6-30-54

REQ. PER UNIT
 2

REQ. ITEM	PART NO.	DESCRIPTION	SYMBOL
	1/8 THK.	THE TECHNICAL MATERIEL CORP. MAMARONECK, NEW YORK	
	STOCK SIZE	GASKET, FEED THRU	
MATERIAL	NEOPRENE	CONNECTOR CTAC	
WEIGHT PER PC.	#	C.D.P. 6-30-54	WDC
TYPE & TEMPER		DRAWN	ELEC. DES. APP.
HEAT TREAT. SPEC.		CHECKED	MECH. DES. APP.
FINISH & SPEC. NO.			FINAL APPROVAL
			GA-125

ISSUE ITEM	CHANGED FROM	DATE	CN. NO.	DRAFTS CHECKER	ENG. APP.
TOLERANCES					
DEC. DIM. ±					
FRAC. DIM. ±					
OTHERS ANGULAR DIM. ±					
DRILL, PUNCH, COMMERCIAL STOCK SIZES AND MANUFACTURERS TOLERANCES ARE NOT INCLUDED.					