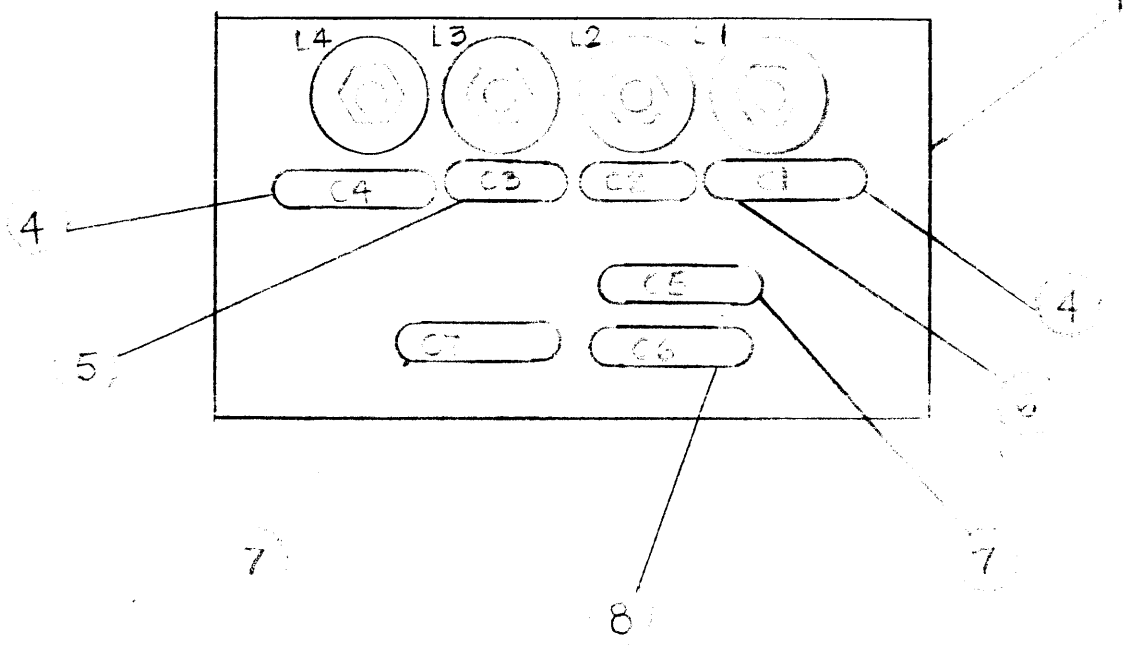
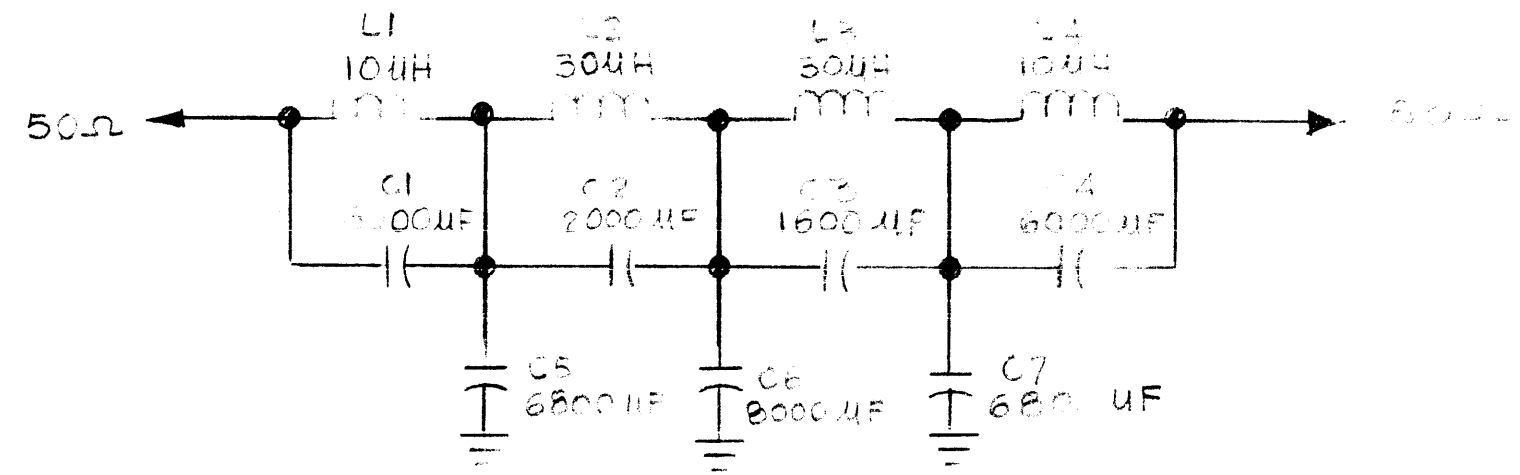
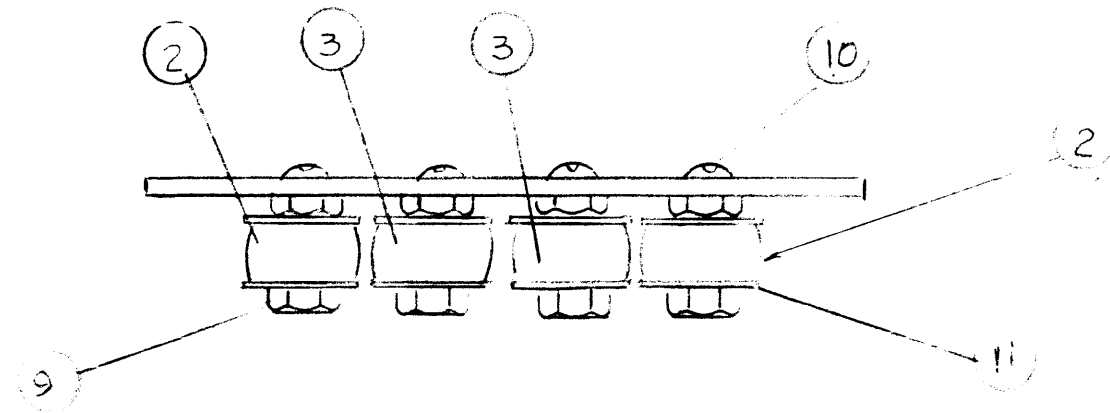


					REVISIONS		
E.M.N. NO.	DRAFT	CHKD	ZONE	LTR	DESCRIPTION	DATE	APPROVED



QTY	ITEM	PART NUMBER	DESCRIPTION	SYM.
1	12	BF 100	RES. PC BOARD	
8	11	WA 125 -	WASHER, FIBER	
8	10	SC143 0036842	SCREW, MACHINE	
8	9	NT137,0632	NUT, HEX NYLON	
1	8	CM112802	CAPACITOR, FIXED	C6
2	7	CM1126801	CAPACITOR, FIXED	C5, C7
1	6	CM112202	CAPACITOR, FIXED	C2
1	5	CM1121601	CAPACITOR, FIXED	C3
2	4	CM1126002	CAPACITOR, FIXED	C1, C4
2	3	CL10040-9	COIL, RF	L2, L3
2	2	CL10040-10	COIL, RF	L1, L4
1	1	PC10018	PRINTED CIRCUIT BOARD	

1 TR 318		
QTY / UNIT	MODEL USED ON	ASS'Y NO.
APPLICATION		
CODE		
NOTICE TO PERSONS RECEIVING THIS DRAWING THE TECHNICAL MATERIEL CORPORATION claims proprietary right in the material disclosed hereon. This drawing is issued in confidence for engineering information only and may not be reproduced or used to manufacture anything shown hereon without permission from THE TECHNICAL MATERIEL CORPORATION to the user. This drawing is loaned for mutual assistance and is subject to recall at any time.		

UNLESS OTHERWISE SPECIFIED DIMENSIONS ARE IN INCHES AND INCLUDE CHEMICALLY APPLIED OR PLATED FINISHES	FINAL APPROVAL	DATE
DECIMALS .X ± .05 .XX ± .01 .XXX ± .005	MECH. DES.	DATE
FRACTIONS 1/64 ANGLES 0° - 30°	ELECT. DES.	DATE
MATERIAL	CHECKED	DATE
FINISH	DRAWN	DATE

LIST OF MATERIAL			
THE TECHNICAL MATERIEL CORP. MAMARONECK, NEW YORK			
LOW PASS FILTER 10KHZ TO 500KHZ PC BOARD			
SIZE	CODE IDENT. NO.	DWG NO.	ISSUE
B	82679	FX 313	
SCALE	SHEET		OF