

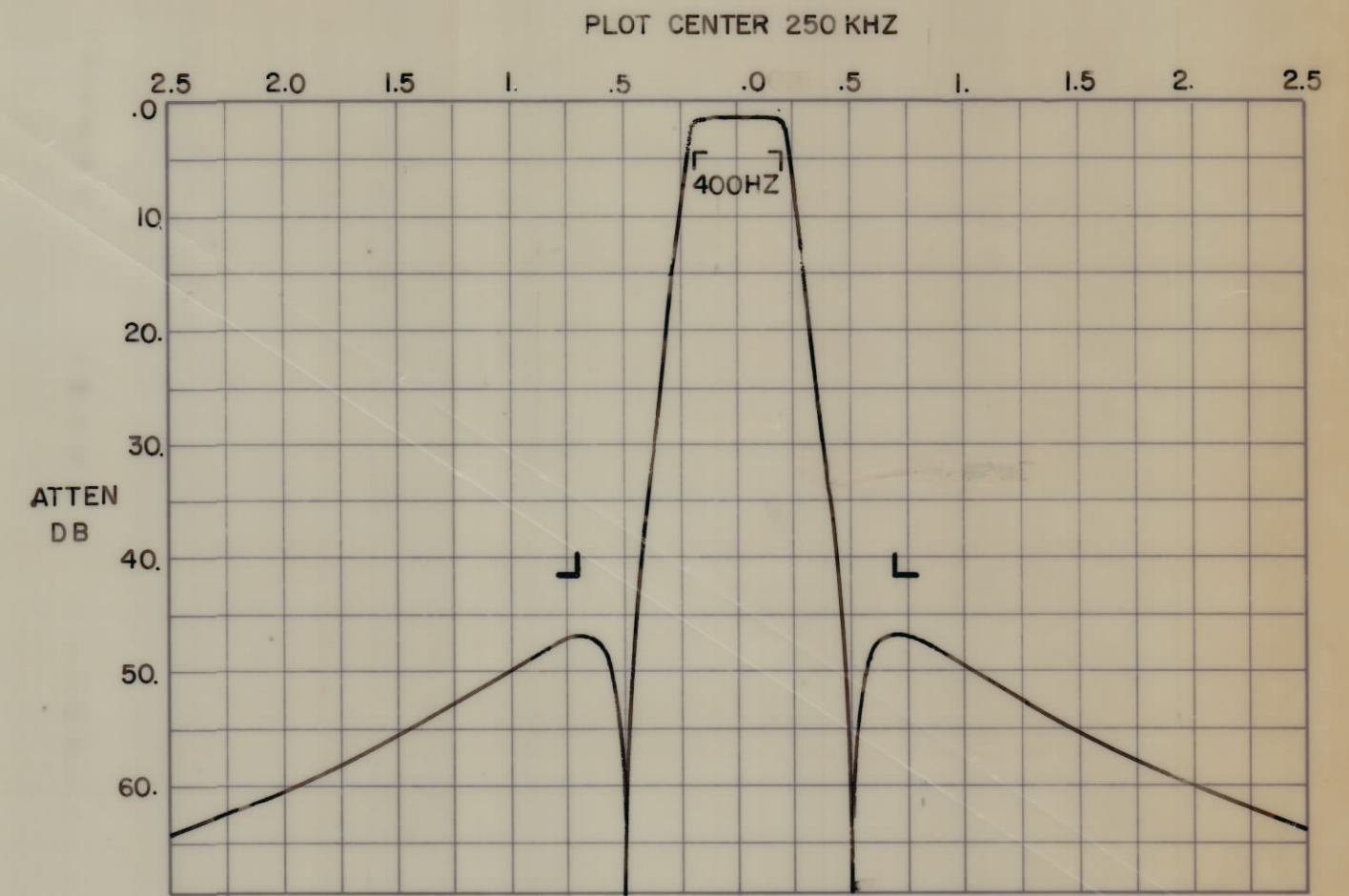
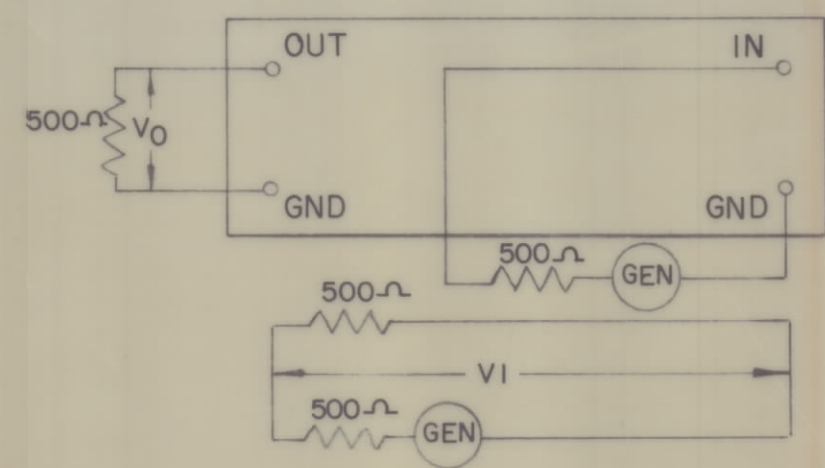
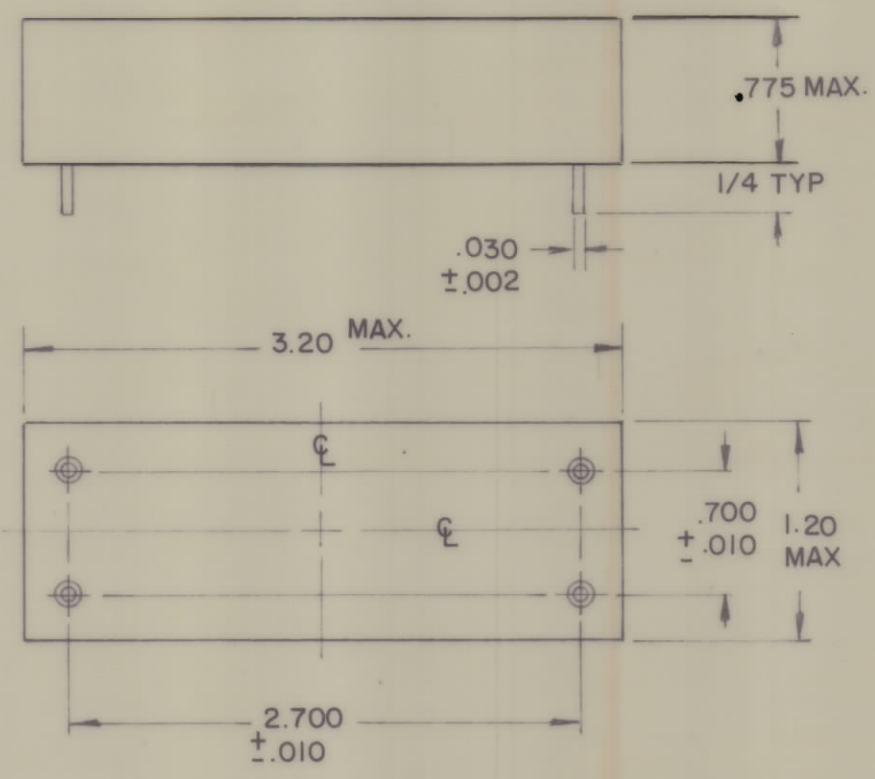
REVISIONS						
ZONE	LTR	DESCRIPTION	DATE	E.M.N.NO	DRAFT	CHKD APPD
	Ø	ORIGINAL RELEASE FOR PRODUCTION	11/5/73		DV	

SPECIFICATIONS

CENTER FREQUENCY: 250KHz
 -3.0db BW: $f_c \pm 200\text{Hz}$ MIN.
 -40db BW: $f_c \pm 650\text{Hz}$ MAX.
 ULTIMATE STOPBAND: -40db MIN.
 SOURCE & LOAD: $\geq 500 \Omega \pm 5\%$
 INSERTION LOSS: 5.0db $\pm 1\text{db}$
 PASSBAND RIPPLE: $\leq 3.0\text{db}$
 OPERATING TEMP. RANGE: 0° TO +50°C

**FX 306
 4KHZ SYM
 FILTER**

LETTERING APPROX. SIZE
 SHOWN BLACK GOTHIC



GPR 110		
QTY / UNIT	MODEL USED ON	ASS'Y NO.
APPLICATION		
CODE		
NOTICE TO PERSONS RECEIVING THIS DRAWING		
THE TECHNICAL MATERIEL CORPORATION claims proprietary right in the material disclosed hereon. This drawing is issued in confidence for engineering information only and may not be reproduced or used to manufacture anything shown hereon without permission from THE TECHNICAL MATERIEL CORPORATION to the user. This drawing is loaned for mutual assistance and is subject to recall at any time.		

UNLESS OTHERWISE SPECIFIED
 DIMENSIONS ARE IN INCHES
 AND INCLUDE CHEMICALLY APPLIED
 OR PLATED FINISHES

TOLERANCES ON

DECIMALS	FRACTIONS
.X ± .05	± 1/64
.XX ± .01	ANGLES
.XXX ± .005	± 0° -30'

QTY. REQ.	ITEM	PART NO.	DESCRIPTION	SYMBOL
F BUDETTI LIST OF MATERIAL				
FINAL APPROVAL		DATE	THE TECHNICAL MATERIEL CORP.	
MECH. DES.		DATE	MAMARONECK, NEW YORK	
ELECT. DES.		DATE	FILTER .4 KHZ SYM.	
CHECKED		DATE		
DRAWN		DATE		
MATERIAL			SIZE	CODE IDENT.NO.
FINISH			DWG NO.	ISSUE
			C 82679	FX 306
SCALE NTS			SHEET	OF

FX 306 Ø B