

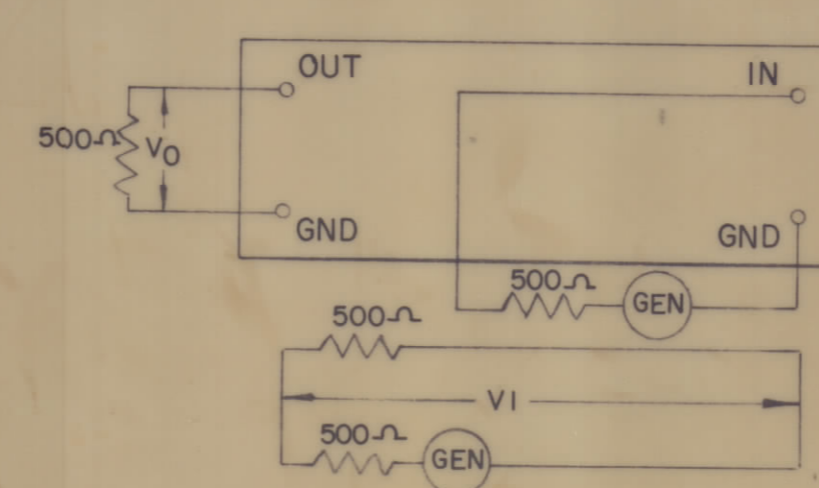
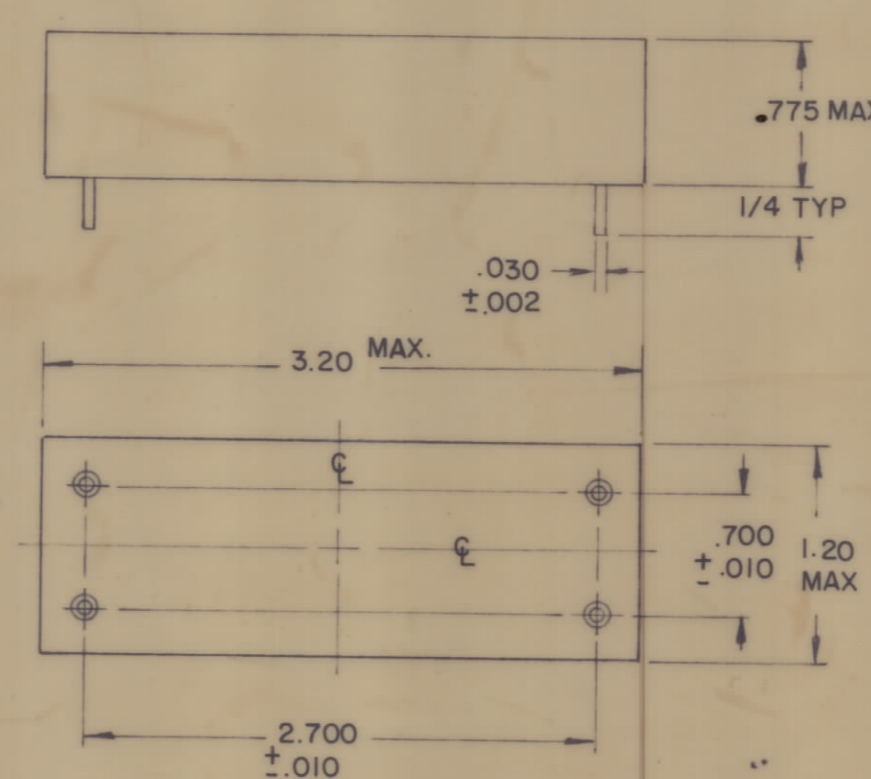
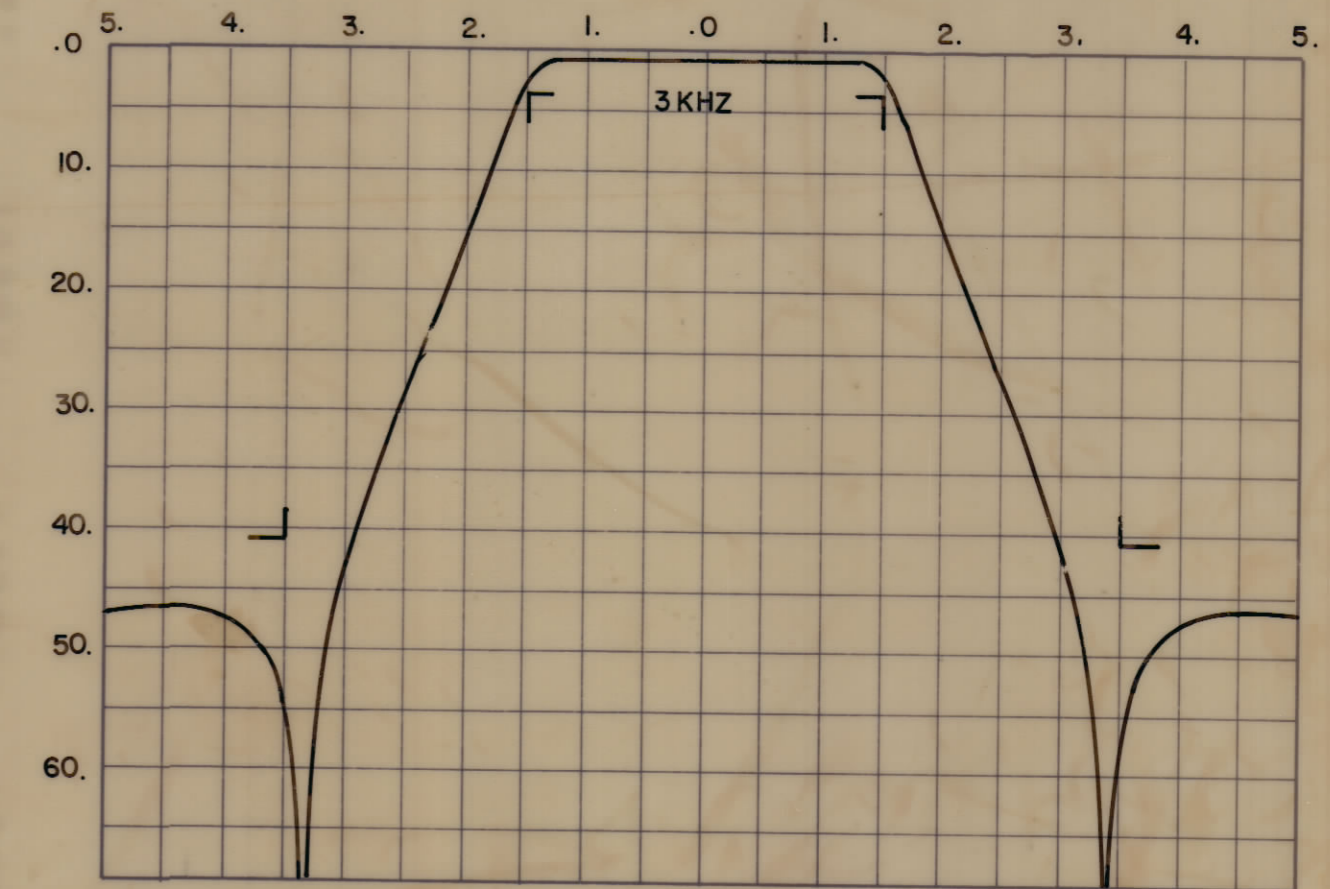
REVISIONS						
ZONE	LTR	DESCRIPTION	DATE	E.M.N.NO	DRAFT	CHKD APPD
	Ø	ORIGINAL RELEASE FOR PRODUCTION	11/5/73		DV	

SPECIFICATIONS

CENTER FREQUENCY: 250KHz
 -3.0db BW: $f_c \pm 1500\text{Hz}$ MIN.
 -40db BW: $f_c \pm 3500\text{Hz}$ MAX.
 ULTIMATE STOPBAND: -40db MIN.
 SOURCE & LOAD Z : $500 \Omega \pm 5\%$
 INSERTION LOSS: 4.0db MIN. -6.0db MAX.
 PASSBAND RIPPLE: $\leq 3.0\text{db}$
 OPERATING TEMP. RANGE: 0° TO $+50^\circ\text{C}$

FX 304
 3KHz SYM FILTER

LETTERING APPROX. SIZE SHOWN BLACK GOTHIC



GPR 110		
QTY / UNIT	MODEL USED ON	ASS'Y NO.
APPLICATION		
CODE		

NOTICE TO PERSONS RECEIVING THIS DRAWING
 THE TECHNICAL MATERIEL CORPORATION claims proprietary right in the material disclosed hereon. This drawing is issued in confidence for engineering information only and may not be reproduced or used to manufacture anything shown hereon without permission from THE TECHNICAL MATERIEL CORPORATION to the user. This drawing is loaned for mutual assistance and is subject to recall at any time.

QTY. REQ.	ITEM	PART NO.	DESCRIPTION	SYMBOL
F BUDETTI LIST OF MATERIAL				
FINAL APPROVAL		DATE	THE TECHNICAL MATERIEL CORP.	
MECH. DES.		DATE	MAMARONECK, NEW YORK	
ELECT. DES.		DATE	FILTER 3KHZ SYM.	
CHECKED		DATE		
DRAWN		DATE		
MATERIAL			SIZE	CODE IDENT. NO. DWG NO.
FINISH			C	82679 FX 304
			SCALE	SHEET OF

FX 304 Ø B