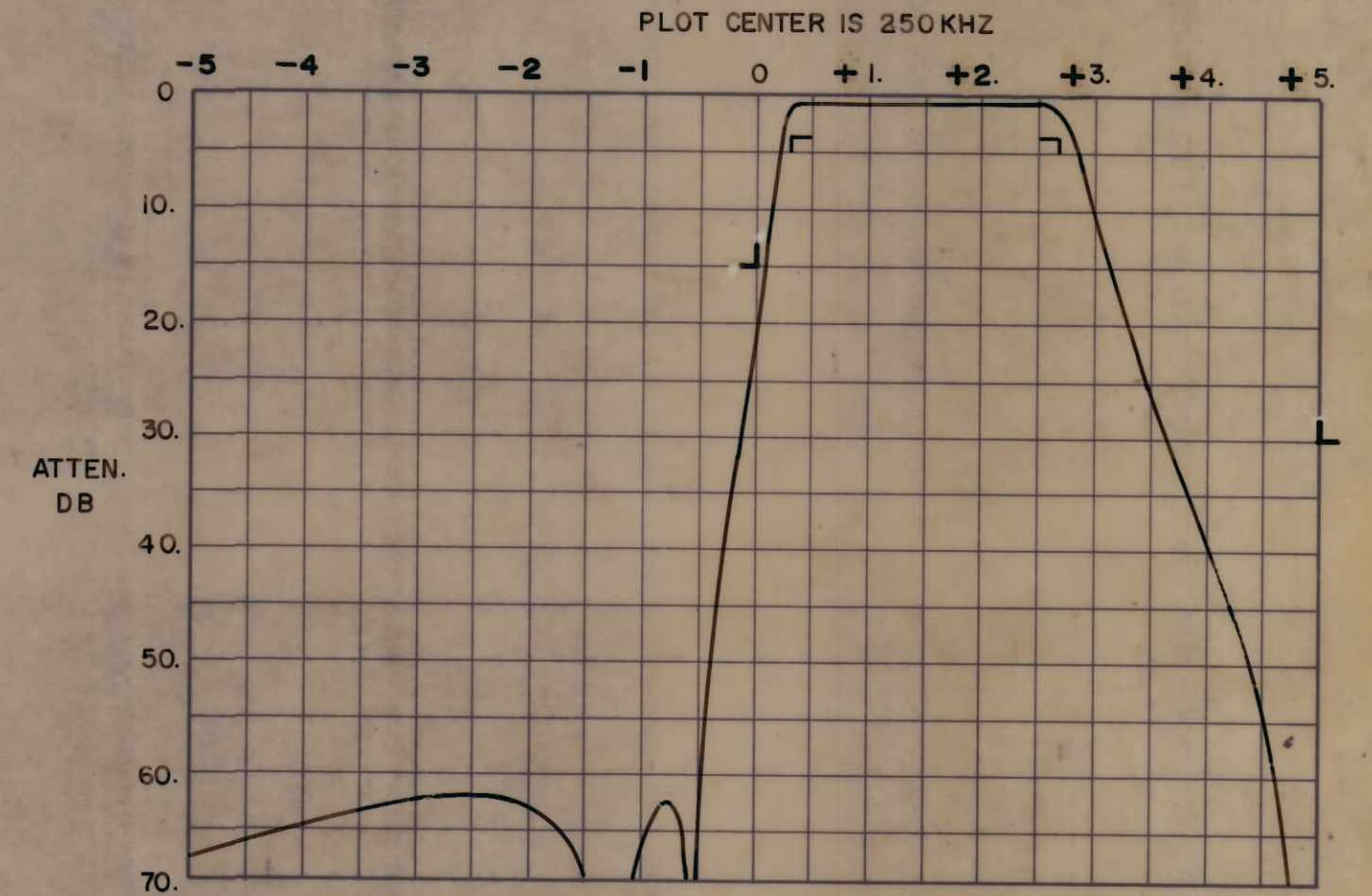
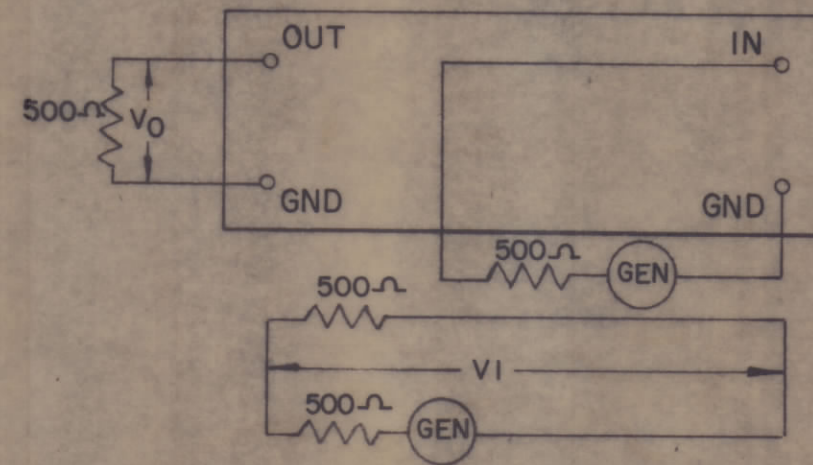
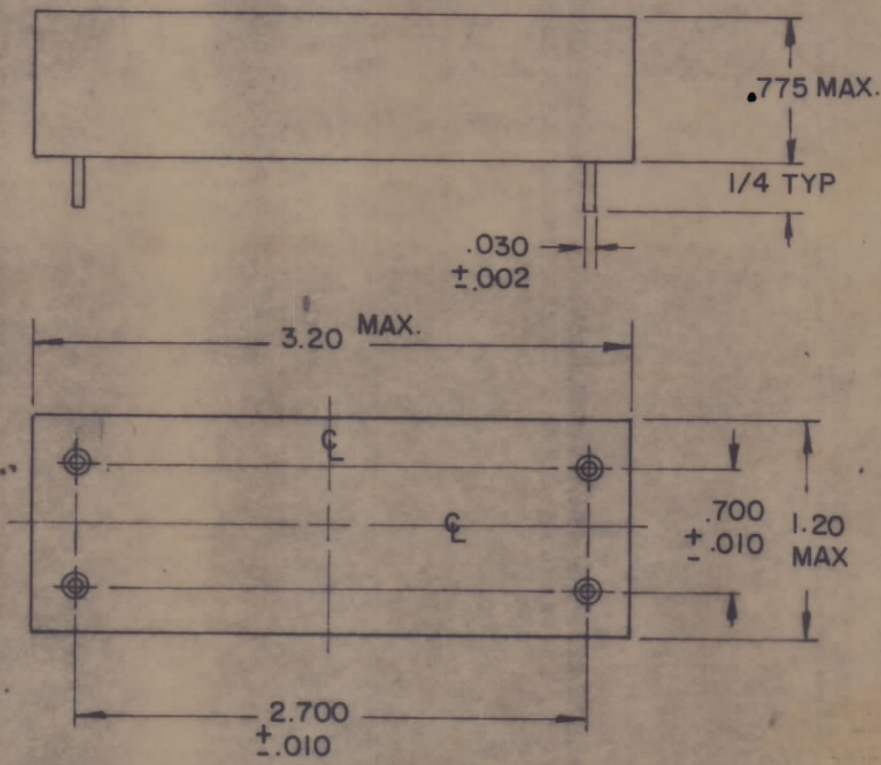
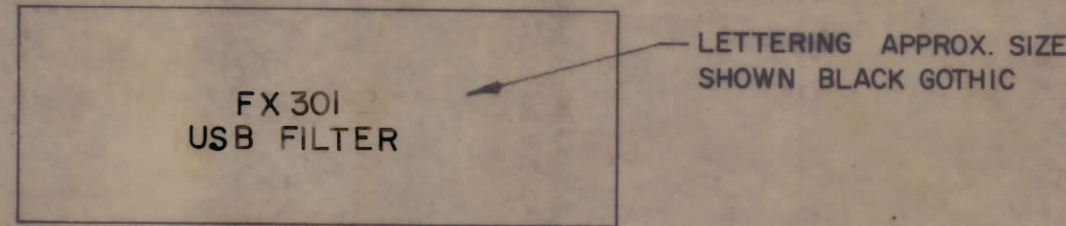


REVISIONS						
ZONE	LTR	DESCRIPTION	DATE	E.M.N.NO	DRAFT	CHKD APPD
	Ø	ORIGINAL RELEASE FOR PRODUCTION	11/5/73		DV	

SPECIFICATIONS

3db POINTS: $\leq f_c + 300\text{Hz}$
 $\geq f_c + 2700\text{Hz}$
 CARRIER FREQ(f_c) : 250KHz
 CARRIER SUPPRESSION: -15db MIN
 UNWANTED SIDEBAND: -55db MIN
 OUTBOARD -30db POINT: $\leq f_c + 5000\text{Hz}$
 PASSBAND RIPPLE: $\leq 3.0\text{db}$
 INSERTION LOSS: 5.0db $\pm 1.0\text{db}$
 SOURCE & LOAD $\approx 500 \Omega \pm 5\%$
 OPERATING TEMP. RANGE: 0° TO +50°C



FX 301 Ø B

I		GPR 110	
QTY / UNIT	MODEL USED ON	ASS'Y NO.	
APPLICATION			
CODE			
NOTICE TO PERSONS RECEIVING THIS DRAWING			
<small>THE TECHNICAL MATERIEL CORPORATION claims proprietary right in the material disclosed hereon. This drawing is issued in confidence for engineering information only and may not be reproduced or used to manufacture anything shown hereon without permission from THE TECHNICAL MATERIEL CORPORATION to the user. This drawing is loaned for mutual assistance and is subject to recall at any time.</small>			

QTY. REQ.	ITEM	PART NO.	DESCRIPTION	SYMBOL
F BUDETTI LIST OF MATERIAL				
FINAL APPROVAL <i>[Signature]</i>		DATE 11/5/73	THE TECHNICAL MATERIEL CORP. MAMARONECK, NEW YORK <i>FILTER</i> <i>UPPER SIDEBAND</i> <i>3 KHZ</i>	
MECH. DES.		DATE		
ELECT. DES.		DATE		
CHECKED		DATE		
DRAWN <i>PE</i>		DATE 10/2/73		
MATERIAL			SIZE	ISSUE
FINISH			CODE IDENT. NO. C 82679	DWG NO. FX 301
			SCALE NTS	SHEET OF