

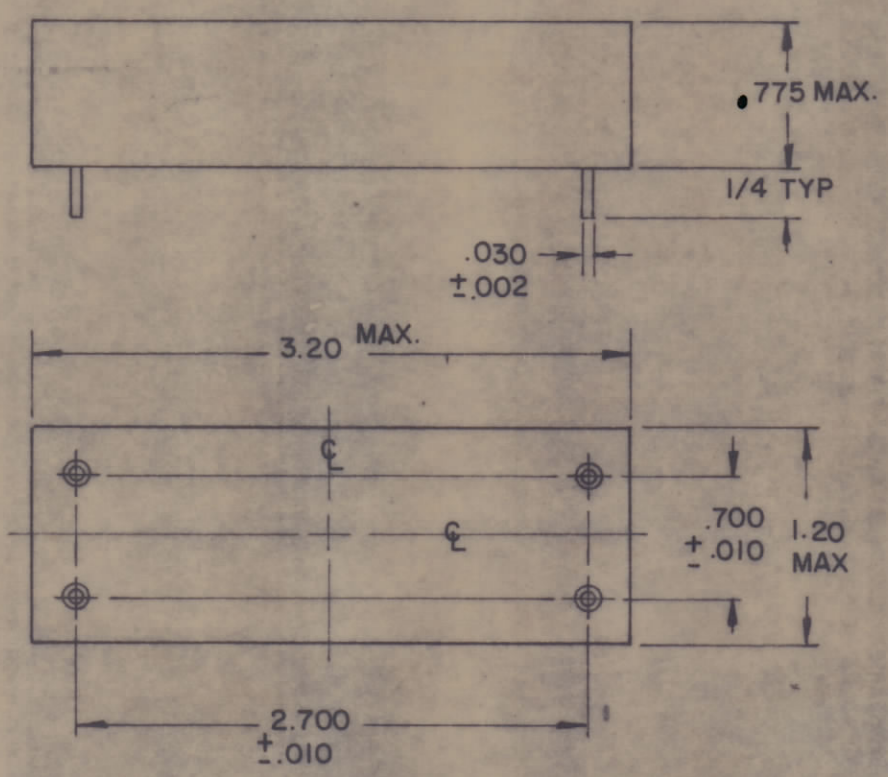
REVISIONS						
ZONE	LTR	DESCRIPTION	DATE	E.M.N.NO	DRAFT	CHKD APPD
	Ø	ORIGINAL RELEASE FOR PRODUCTION	11/5/73		D.V.	

SPECIFICATIONS

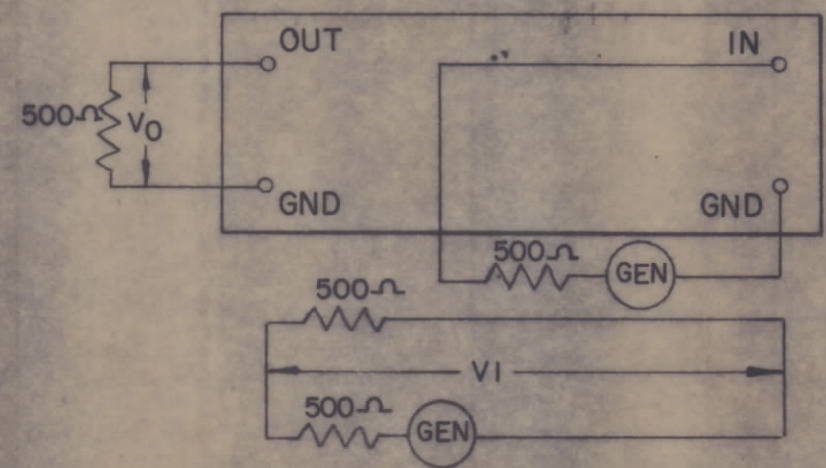
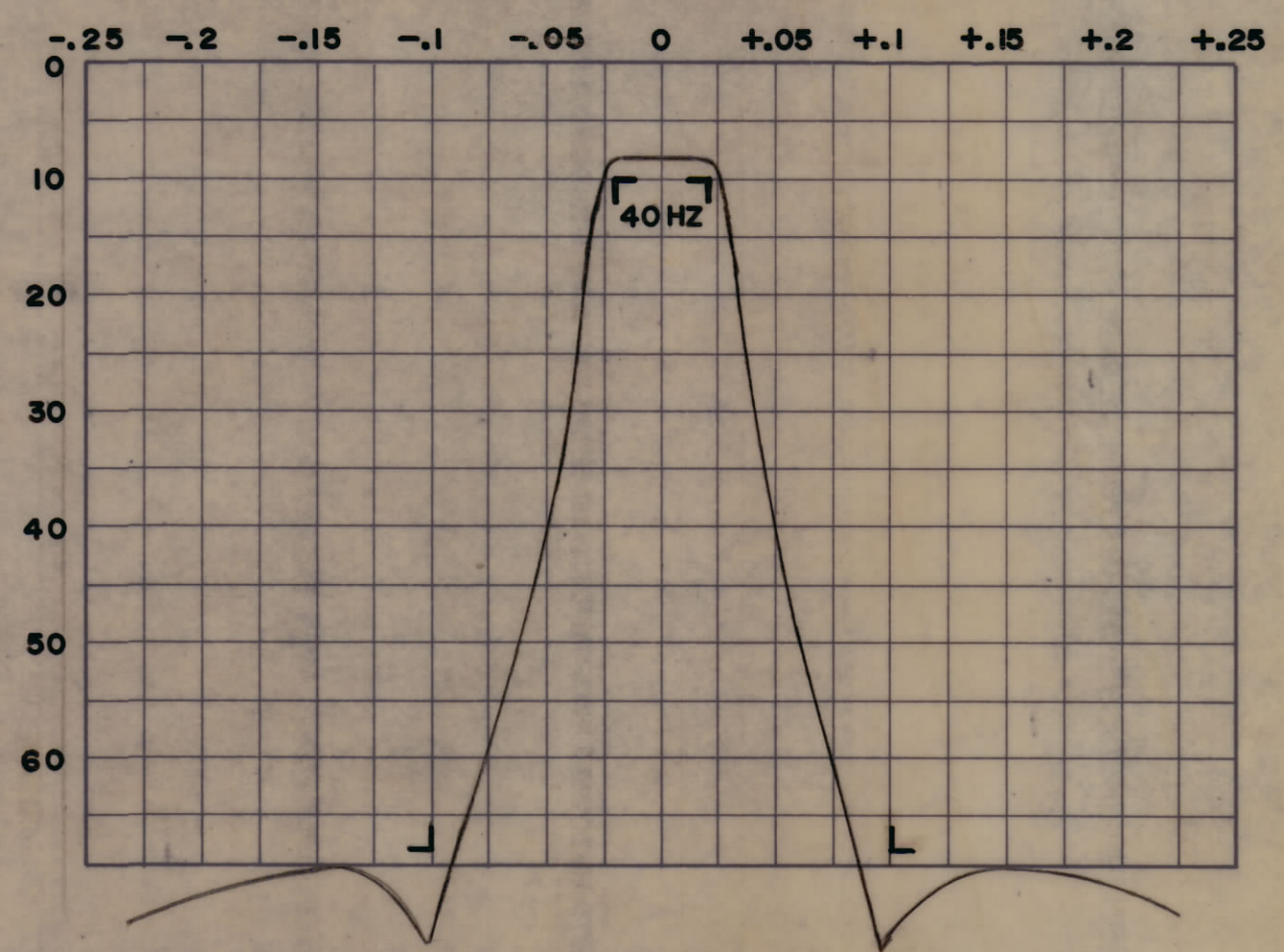
Center Frequency: 250.000 KHz
 -3.0 db BW: $f_c \pm 20$ Hz min.
 -60 db BW: $f_c \pm 100$ Hz max.
 Source & Load Z : 500 ohms $\pm 5\%$
 Insertion Loss: 8.0 db max.
 Passband Ripple: 3.0 db max.
 Operating Temperature Range: 0° to +50°C

FX 300
40HZ NARROW BAND

LETTERING APPROX. SIZE SHOWN BLACK GOTHIC



PLOT CENTER 250KHZ



QTY. REQ.	ITEM	PART NO.	DESCRIPTION	SYMBOL		
F BUDETTI LIST OF MATERIAL						
FINAL APPROVAL		DATE	THE TECHNICAL MATERIEL CORP. MAMARONECK, NEW YORK			
MECH. DES.		DATE				
ELECT. DES.		DATE				
CHECKED		DATE				
DRAWN		DATE	FILTER 40HZ NARROW BAND			
MATERIAL			SIZE	CODE IDENT. NO.	DWG NO.	ISSUE
FINISH			C	82679	FX 300	Ø
			SCALE	NTS	SHEET	OF

I	GPR 110	ASS'Y NO.
QTY / UNIT	MODEL USED ON	
APPLICATION		
	CODE	
<small>NOTICE TO PERSONS RECEIVING THIS DRAWING</small> <small>THE TECHNICAL MATERIEL CORPORATION claims proprietary right in the material disclosed hereon. This drawing is issued in confidence for engineering information only and may not be reproduced or used to manufacture anything shown hereon without permission from THE TECHNICAL MATERIEL CORPORATION to the user. This drawing is loaned for mutual assistance and is subject to recall at any time.</small>		

UNLESS OTHERWISE SPECIFIED DIMENSIONS ARE IN INCHES AND INCLUDE CHEMICALLY APPLIED OR PLATED FINISHES

TOLERANCES ON

DECIMALS	FRACTIONS
.X ± .05	± 1/64
.XX ± .01	ANGLES
.XXX ± .005	± 0° .30'

FX 300 Ø B