

5

4

3

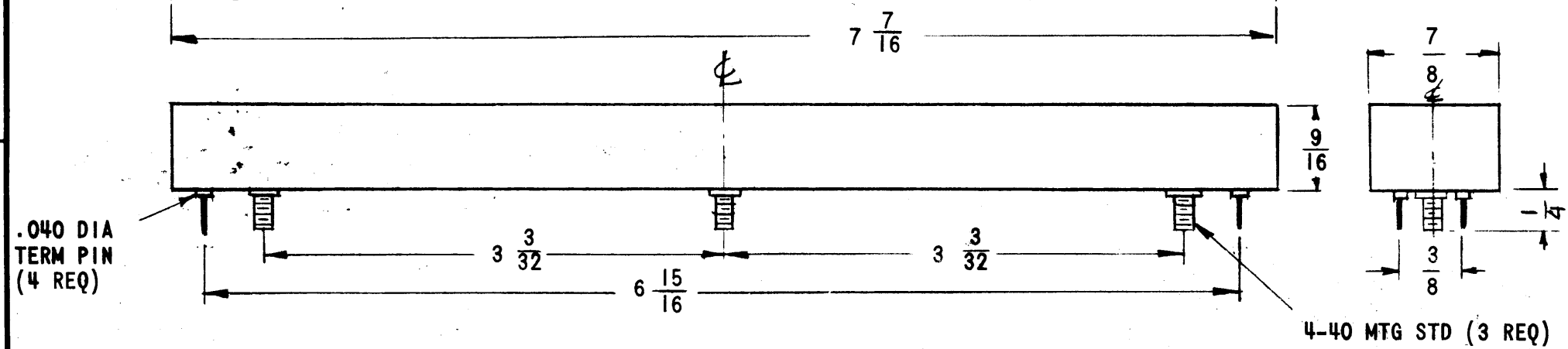
2

1

LETTERING APPROX SIZE SHOWN, BLACK GOTHIC

REVISIONS						
ZONE	LTR	DESCRIPTION	DATE	E.M.N.NO	DRAFT	CHKD APPD
	X	EXPERIMENTAL RELEASE	5-26-67		GDL	<i>[Signature]</i>
	X1	INSERTION LOSS WAS 14dB	7/10/68	X1	JD	<i>[Signature]</i>
	Ø	ORIGINAL RELEASE	7/10/68	Ø	JAD	<i>[Signature]</i>
	A	ELECTRICAL SPEC REVISED	9/17/70	19975	CV	<i>[Signature]</i>

FX281
4.5 MHz B.W. BANDPASS FILTER
58.75 MHz SYMETRICAL



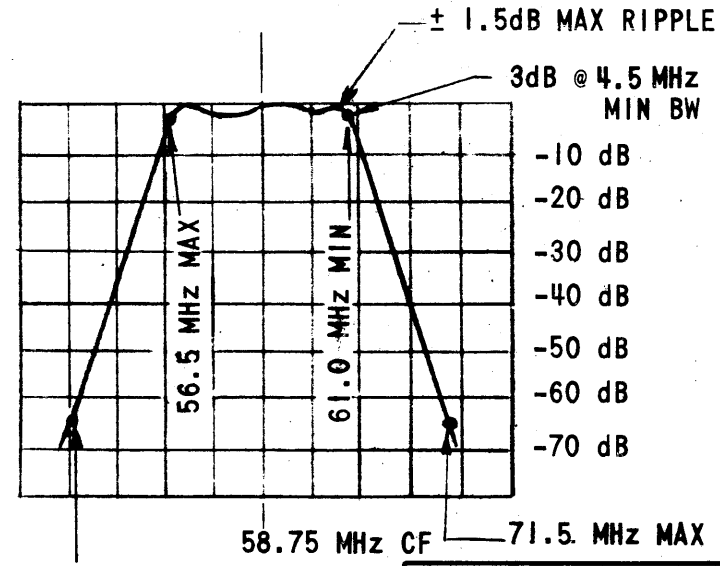
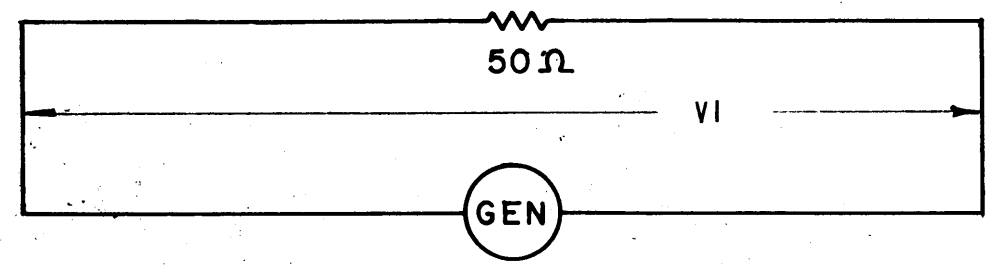
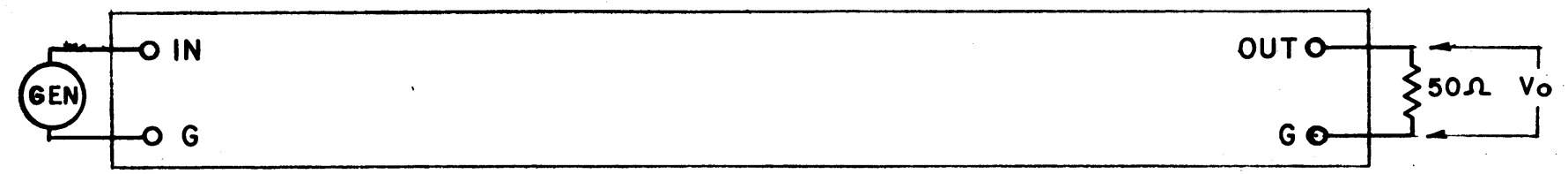
SPECIFICATIONS

ELECTRICAL

SOURCE & LOAD IMPEDANCE: 50 Ω
 TEMPERATURE RANGE: 0° TO 70°C
 TYPE: BANDPASS
 ALL dB MEASUREMENTS ARE RELATIVE TO MAX SIGNAL RESPONSE IN THE PASSBAND.
 C.F.: 58.75 MHz
 -3dB POINTS: 56.5 MHz MAX TO 61.0 MHz MIN
 -65dB POINTS: 48.5 MHz MIN TO 71.5 MHz MAX
 RIPPLE: ± 1.5dB MAX
 INSERTION LOSS: 1.5 dB MAX
 INSERTION (LOSS OR GAIN): ± (V_I-V_O) IN dB

MECHANICAL

CASE: STEEL HERMETICALLY SEALED
 FINISH: POWDER BLASTED BRIGHT NICKEL
 NOTE: TERMINAL END UNPAINTED
 MOUNTING: 4-40 X 1/4" STUDS (3 REG)
 TERMINAL: DOUBLE END PIN TYPE, BRASS, SILVER PLATED, BEAD INS



REQ'D	ITEM	PART NUMBER	DESCRIPTION	SYM.
0.	POSE		LIST OF MATERIAL	

FINAL APPROVAL	DATE
MECH. DES.	DATE
ELECT. DES.	DATE
CHECKED	DATE
DRAWN	DATE

THE TECHNICAL MATERIEL CORP.
 MAMARONECK, NEW YORK

FILTER. BANDPASS

SIZE	CODE IDENT. NO.	DWG NO.	ISSUE
B	82679	FX 281	A
SCALE	1:1	SHEET	OF

NOTICE TO PERSONS RECEIVING THIS DRAWING

THE TECHNICAL MATERIEL CORPORATION claims proprietary right in the material disclosed hereon. This drawing is issued in confidence for engineering information only and may not be reproduced or used to manufacture anything shown hereon without permission from THE TECHNICAL MATERIEL CORPORATION to the user. This drawing is loaned for mutual assistance and is subject to recall at any time.

Property of:

THE TECHNICAL MATERIEL CORPORATION
 MAMARONECK, NEW YORK

I	MMX-()	
QTY / UNIT	MODEL USED ON	ASS'Y NO.
APPLICATION		
	CODE	S401-308

NOTICE TO PERSONS RECEIVING THIS DRAWING
 THE TECHNICAL MATERIEL CORPORATION claims proprietary right in the material disclosed hereon. This drawing is issued in confidence for engineering information only and may not be reproduced or used to manufacture anything shown hereon without permission from THE TECHNICAL MATERIEL CORPORATION to the user. This drawing is loaned for mutual assistance and is subject to recall at any time.

UNLESS OTHERWISE SPECIFIED DIMENSIONS ARE IN INCHES AND INCLUDE CHEMICALLY APPLIED OR PLATED FINISHES	
DECIMALS	FRACTIONS
.X ± .05	1/64
.XX ± .01	TOLS. ANGLES
.XXX ± .005	0° .30'
MATERIAL	FINISH

5

4

3

2

1