

REVISIONS						
ZONE	LTR	DESCRIPTION	DATE	E.M.N.NO	DRAFT	CHKD APPD
	X	EXP. RELEASE	2-27-67		RME	
	Ø	ORIGINAL RELEASE	9/25/69			

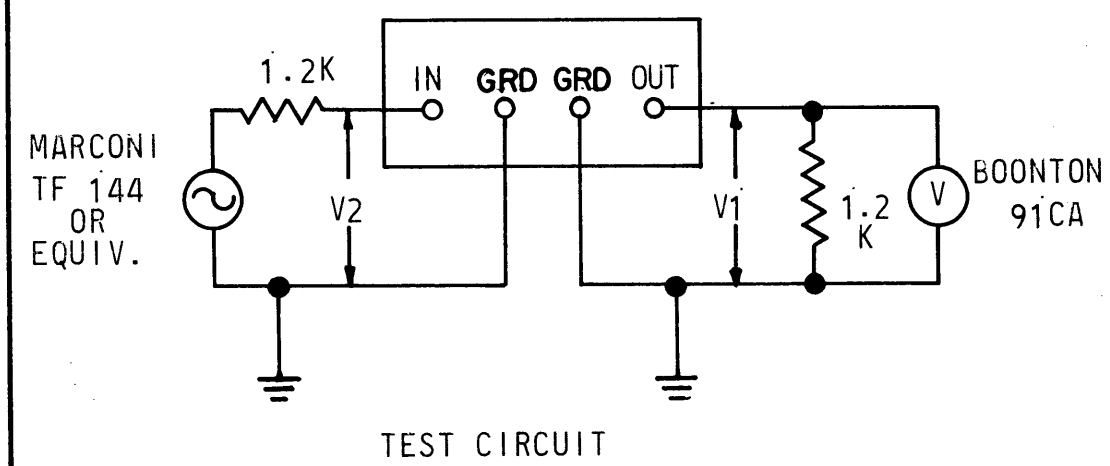
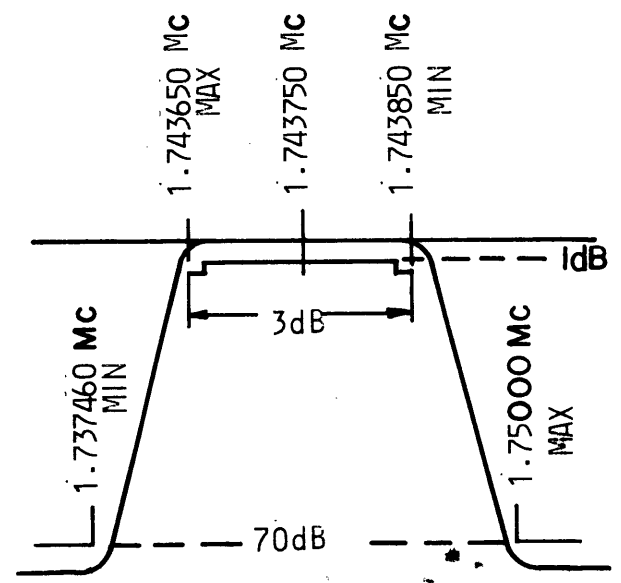
ELECTRICAL SPECIFICATIONS

3 dB B.W.: 1.74365 Mc MAX
 1.74385 Mc MIN
 70 dB B.W.: 1.73746 Mc MIN
 1.75000 Mc MAX

SOURCE IMPEDANCE: 1.2K Ω ±10%
 LOAD IMPEDANCE: 1.2K Ω ±10%
 INSERTION LOSS: 6.0dB MAX
 PEAK TO VALLEY RATIO: 1dB MAX

ENVIRONMENTAL REQUIREMENTS
 OPERATING TEMPERATURE RANGE: 0° TO 50°C

MECHANICAL REQUIREMENTS
 UNIT TO BE HERMETICALLY SEALED
 DIMENSIONS: SEE FIG. II
 FINISH: POWDER BLASTED NICKEL
 MATERIAL: .030 BRASS
 MARKING: BLACK EPOXY INK



QTY / UNIT	MODEL USED ON	ASS'Y NO.
1	CMR-41 I	
1	CMR-1 I	
APPLICATION		
	CODE	S401-308
	C	

NOTICE TO PERSONS RECEIVING THIS DRAWING
 THE TECHNICAL MATERIEL CORPORATION claims proprietary right in the material disclosed hereon. This drawing is issued in confidence for engineering information only and may not be reproduced or used to manufacture anything shown hereon without permission from THE TECHNICAL MATERIEL CORPORATION to the user. This drawing is loaned for mutual assistance and is subject to recall at any time.

UNLESS OTHERWISE SPECIFIED DIMENSIONS ARE IN INCHES AND INCLUDE CHEMICALLY APPLIED OR PLATED FINISHES

DECIMALS: .X ± .05, .XX ± .01, .XXX ± .005
 FRACTIONS: 1/64
 TOLS. ANGLES: 0°-30'

MATERIAL: SEE NOTES
 FINISH: SEE NOTES

REQ'D	ITEM	PART NUMBER	DESCRIPTION	SYM.
LIST OF MATERIAL				
THE TECHNICAL MATERIEL CORP. MAMARONECK, NEW YORK				
FILTER, CRYSTAL 1.743750 Mc BAND PASS				
SIZE	CODE IDENT. NO.	DWG NO.	ISSUE	
B	82679	FX 279	Ø	
SCALE -			SHEET	OF