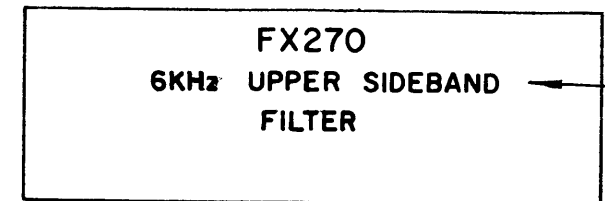


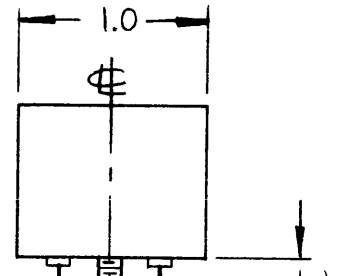
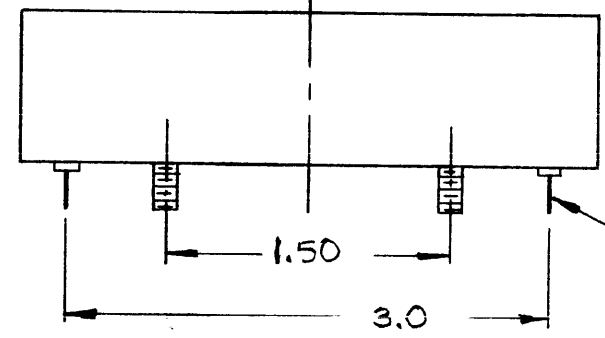
FX270 B

REVISIONS

SYM	DESCRIPTION	DATE	E.M.N. NO.	DRAFT	CHKD	APPD
X	EXPERIMENTAL RELEASE	10/21/66	X	RME		
Ø	ORIGINAL RELEASE FOR PROD.	10/24/66	Ø	RME		
A	CHG'D TEST DIAGRAM	11/2/66	17174	RME		
B	CHG'D CHART. 256.080 KHZ MIN WAS 256.080 KHZ ± 50.0 KHZ. INSERTION LOSS 10 DB MAX WAS 6 DB MAX	3-31-67	18066	L.A.K.		



LETTERING APPROX SIZE SHOWN, BLACK GOTHIC



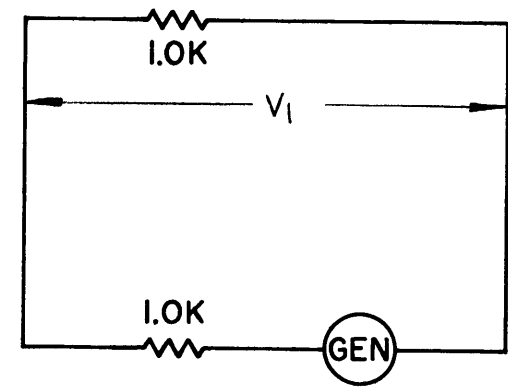
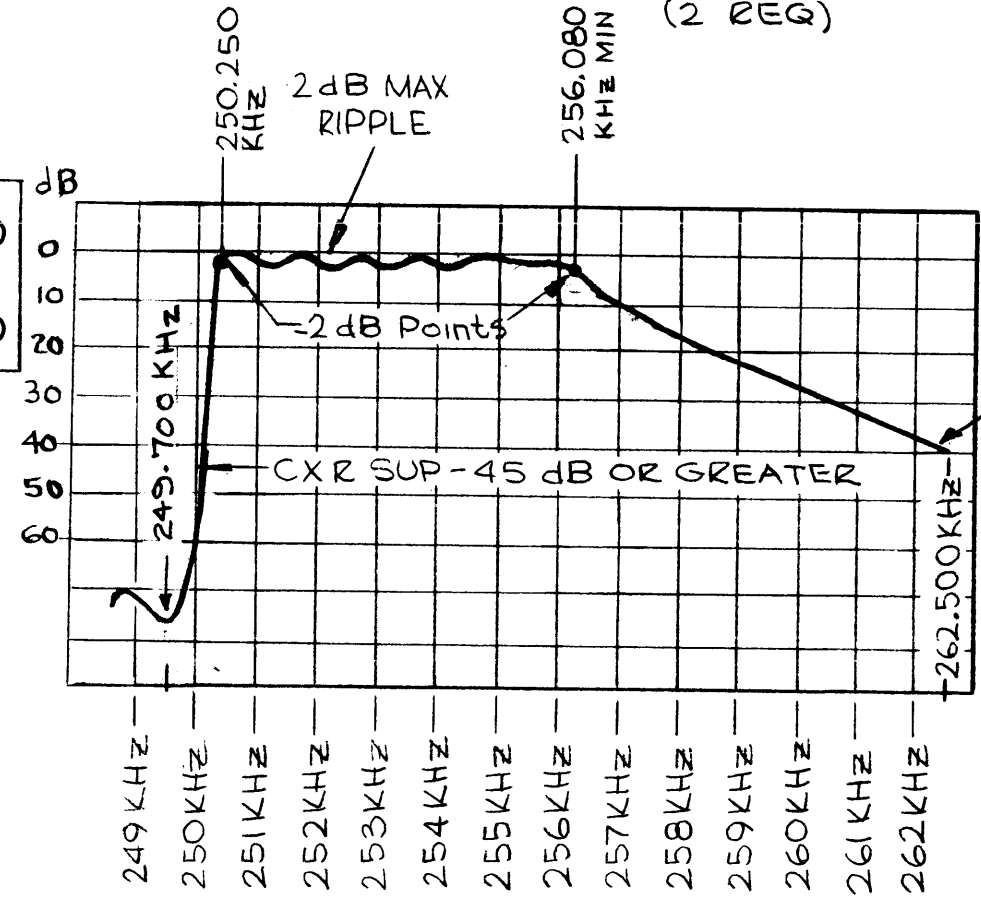
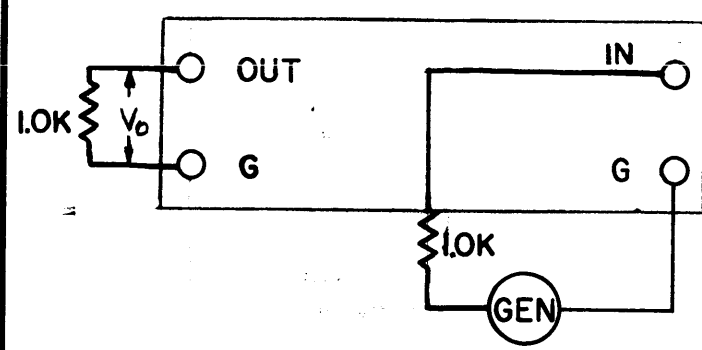
SPECIFICATIONS

ELECTRICAL:

TYPE: UPPER SIDEBAND  
 CARRIER FREQUENCY: 250 KHZ  
 CARRIER SUPPRESSION: -45 dB OR GREATER  
 -2dB POINTS: 250.250 KHZ MAX: 256.080 KHZ MIN.  
 TRAILING SLOPE: 262.5 KHZ 40 dB OR MORE  
 UNWANTED SIDEBAND ATTENUATION: GREATER THAN 60 dB FOR FREQUENCIES LESS THAN 249.700 KHZ INCLUDING ALL RETURN LOSSES AND SPURIOUS  
 MAXIMUM PASSBAND RIPPLE: 2 dB  
 INSERTION LOSS: 10 dB MAX  
 INPUT AND OUTPUT IMPEDANCE: 1.0 K UNBALANCED  
 TEMPERATURE RANGE: 0° TO 70°C

MECHANICAL:

CASE: STEEL, HERMETICALLY SEALED  
 FINISH: BRUSHED NICKEL OR POWDER BLASTED BRIGHT NICKEL  
 NOTE: TERMINAL END UNPAINTED  
 MOUNTING: 4-40 x 1/4" STUDS (2 REG)  
 TERMINAL: DOUBLE END PIN TYPE, BRASS, SILVER PLATED, BEAD INS



INSERTION (LOSS OR GAIN) ±(V<sub>1</sub> - V<sub>0</sub>) IN dB

NOTES

Q'TY./UNIT	MODEL USED ON	ASS'Y. NO.
SCALE	CODE	S401-210

THE CONTENTS OF THIS DRAWING ARE THE EXCLUSIVE PROPERTY OF THE TECHNICAL MATERIEL CORP. ITS UNAUTHORIZED USE OR REPRODUCTION IN WHOLE OR IN PART IS STRICTLY FORBIDDEN.

REQ'D.	ITEM	PART NUMBER	DESCRIPTION	SYMBOL
<b>LIST OF MATERIAL</b>				
MATERIAL		SEE MECH SPECS		
FINISH		SEE MECH SPECS		
		<b>THE TECHNICAL MATERIEL CORP.</b> MAMARONECK, NEW YORK		
		TITLE UPPER SIDEBAND FILTER BANDPASS 6 KHZ		
DRAWN	DATE	FINAL APPROVAL	DATE	
WAW	10/12/66	<i>[Signature]</i>		
CHECKED	DATE			
<i>[Signature]</i>	10/13/66			
ELECT. DES.	DATE			
<i>[Signature]</i>	11/15/66	FX270		
MECH. DES.	DATE			
		SHEET		
				REV. LTR.
				B